



TRANSPORT CADDY

MODEL 20SS-NA

150 LB. / 20 GAL. SHORTENING CAPACITY

Frontline International stainless steel transport caddies are the most economical method of transporting grill grease and cooking oil to the containment tank.

HOW IT WORKS

Drain used grease into caddy. System includes extra-large grill sediment basket. Close the caddy lid, secure the lid with the safety latch, and carefully pull the cart slowly to the used oil storage tank or pumping station. Connect the hose from the grease caddy to a Frontline International storage tank fill station and simply pump used grease into the containment tank.

CONSTRUCTION AND FEATURES

- Holds 150 lb /20 gal (68 kg/75.7 l)
- 100% heavy stainless steel construction
- Smooth rolling heavy-duty, non-mark casters
- Swivel front casters with brakes
- Extra large “crumb catcher” basket
- Power switch and “break away” power cord
- Removable handle
- Lock-in-place safety cover
- Easy, quick-disconnect fittings
- High-temperature hose
- 110 V 15 A - 250 V 3.5 A industrial 1/2HP motor
- Specially designed 5-gallon (19 l) per minute pump
- Roller pump will not “shear” oil during filtration
- Special filter screen to protect pump
- Easy-to-clean, seamless construction
- UL, UL Sanitation Listed
- One-year warranty on all components



Frontline International's Shortening Filtration Upgrade Kit allows for any Waste Shortening Transport Caddy to become a state-of-the-art, heavy-duty oil filtration machine.

Installation and Operating Specifications

Model	20SS-NA
Size	32 in. l, 21 in. w, 9.5 in. h (812 mm x 533.4 mm x 241.3 mm)
Power	110 V 15 A - 250 V 3.5 A, 50/60 Hz
Capacity	150 lb /20 gal (68 kg/75.7 l)
Ship Wt.	175 lbs (79.4 kg)

Popular Caddy Options

10SS-NA-LP	Low Profile Transport Caddy	75 Lb/10 Gal (34 kg/37.8 l)
16SS-NA-W5	Transport Caddy with 5" (12.7cm) Casters	120 Lb/16 Gal (54.4 kg/60.5 l)
20SS-NA-W5	Transport Caddy with 5" (12.7cm) Casters	150 Lb/20 Gal (68 kg/75.7 l)

Filter Upgrade Kits

FILTER-KIT-FP	Caddy-To-Filtration System Upgrade Kit, Paper Media Filter	Not applicable
FILTER-KIT-FC16	Caddy-To-Filtration System Upgrade Kit, Carbon Media Filter	Not applicable
FILTER-KIT-FS	Caddy-To-Filtration System Upgrade Kit, Stainless Steel Media Filter	Not applicable

Frontline International, Inc.

187 Ascot Parkway • Cuyahoga Falls, Ohio 44223
 330-861-1100 • 877-776-1100 • frontlineii.com
 Fax: 330-861-1105 • info@frontlineii.com

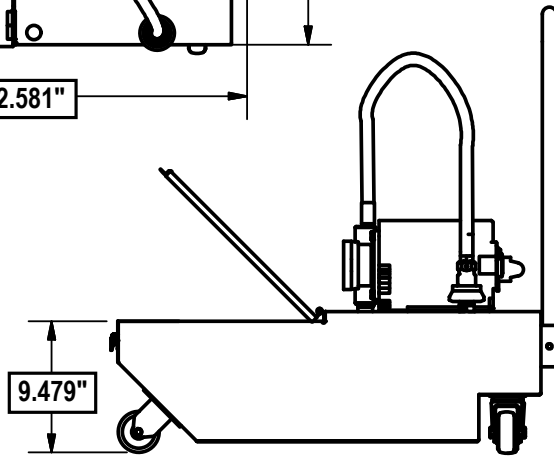
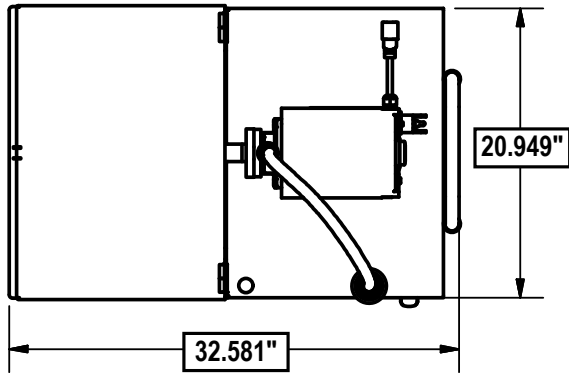
FRONTLINE
international

© Frontline International, 10/16

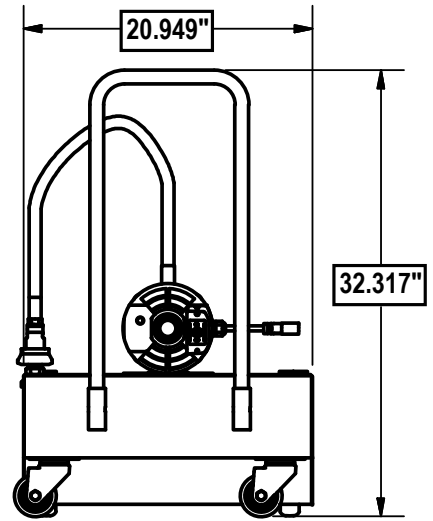
WASTE COOKING OIL CONTAINMENT CADDY

MODEL 20SS-NA

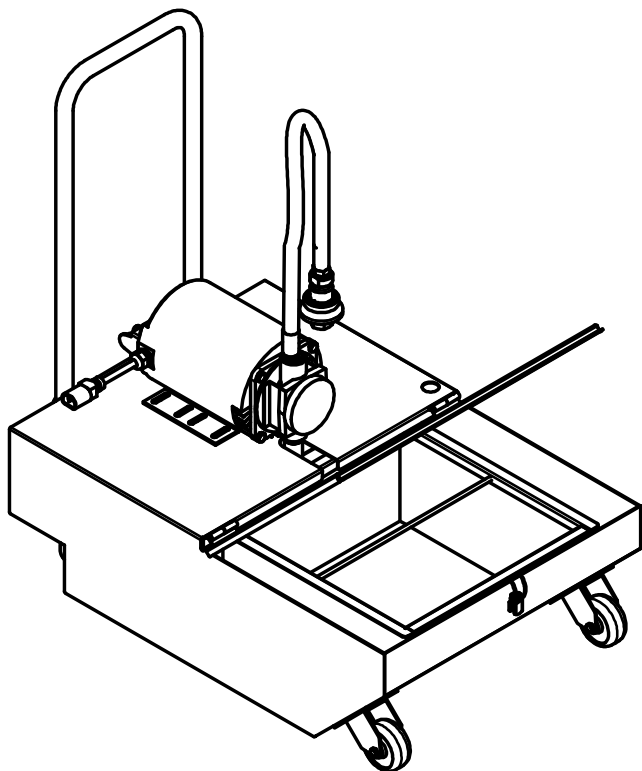
TOP



SIDE



BACK



IMPORTANT

- The appliance is not to be used by persons (including children) with reduced physical, sensory or mental capabilities, or lack of experience and knowledge, unless they have been given supervision or instruction.
- Children should be supervised to ensure that they do not play with the appliance.
- If the supply cord is damaged, it must be replaced by the manufacturer, its service agent or similarly qualified persons in order to avoid a hazard.
- Not intended to be operated by means of an external timer or a separate remote-control system.
- This appliance is intended to be used in commercial kitchen applications.

Frontline International, Inc.

187 Ascot Parkway • Cuyahoga Falls, Ohio 44223

330-861-1100 • 877-776-1100 • frontlineii.com

Fax: 330-861-1105 • info@frontlineii.com

FRONTLINE
international

© Frontline International, 10/16