

# MODEL 74SS-WP

## USED COOKING OIL CONTAINMENT CADDY

550 lb/74 gal (249 kg/280 l)

**FRONTLINE**  
international

PROJECT \_\_\_\_\_

QUANTITY \_\_\_\_\_

APPROVAL \_\_\_\_\_

DATE \_\_\_\_\_

### SPECIFICATIONS

Frontline International Containment Caddy is a safe, easily wheeled, temporary, medium-volume tank positioned close to the fryer—fryer contents can be poured into the tank. The unit works like an oversized caddy system—ideal when directly pumping a fryer to the containment tank is impossible, costly or too complex. Ideal for large establishments with multiple fryers or smaller establishments with a low fryer volume.

### AGENCY APPROVAL OPTIONS

- UL 197
- UL 1889
- CE
- UKCA

### POWER CORD CONFIGURATION Select one of the following.

- NA (North America):** Standard: NEMA 5-15 Voltage: 120V Frequency: 60Hz
- EU (European Union):** Standard: CEE 7/7 (Type F) Voltage: 230V Frequency: 50Hz
- UK (United Kingdom):** Standard: BS 1363 Voltage: 230V Frequency: 50Hz
- AU (Australia):** Standard: AS/NZS 3112 Voltage: 230V Frequency: 50Hz

### OPTIONAL CONFIGURATIONS

- STANDARD PUMP
- REVERSIBLE PUMP
- HEATER



### STANDARD FEATURES

- 100% heavy stainless steel construction
- Smooth rolling heavy-duty, non-mark casters
- Swivel front casters with brakes
- Screw-in-place safety cover
- Easy, quick-disconnect fittings



Frontline International, Inc.

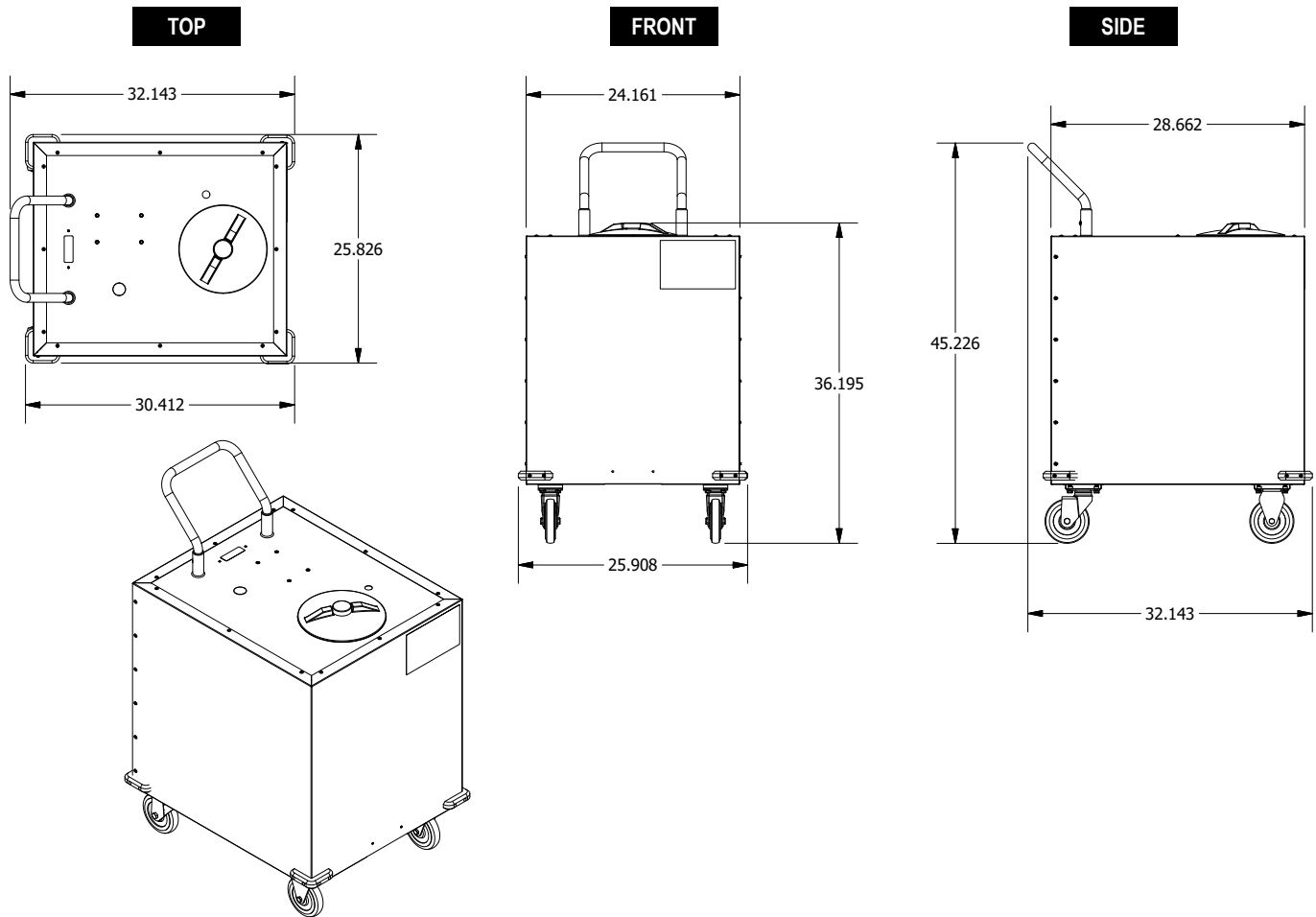
187 Ascot Parkway • Cuyahoga Falls, Ohio 44223 • 330-861-1100 • 877-776-1100 • [frontlineii.com](http://frontlineii.com) • Fax: 330-861-1105 • [info@frontlineii.com](mailto:info@frontlineii.com)

# MODEL 74SS-WP

**FRONTLINE**  
international

## USED COOKING OIL CONTAINMENT CADDY

550 lb/74 gal (249 kg/280 l)



MODEL	CAPACITY	SHIPPING WEIGHT	INSTALLATION SPACE REQUIREMENTS	POWER REQUIREMENTS
74SS-WP	550 lb/74 gal (249 kg/280 l)	200 lb (137 Kg)	32 in. l x 26 in. w x 45 in. h (813 mm x 660 mm x 1143 mm)	LV: 110 V 15 A, 60 Hz HV: 250 V 3.5 A, 50/60 Hz

\* Information is approximate and may vary at time of shipment due to options/add-ons per customer request.

### IMPORTANT

- The appliance is not to be used by persons (including children) with reduced physical, sensory or mental capabilities, or lack of experience and knowledge, unless they have been given supervision or instruction.
- Children should be supervised to ensure that they do not play with the appliance.
- If the supply cord is damaged, it must be replaced by the manufacturer, its service agent or similarly qualified persons in order to avoid a hazard.
- Not intended to be operated by means of an external timer or a separate remote-control system.
- This appliance is intended to be used in commercial kitchen applications.

**Frontline International, Inc.**

187 Ascot Parkway • Cuyahoga Falls, Ohio 44223 • 330-861-1100 • 877-776-1100 • [frontlineii.com](http://frontlineii.com) • Fax: 330-861-1105 • [info@frontlineii.com](mailto:info@frontlineii.com)