

# MODEL LS-3-60GG GRILL GREASE CADDY

60 lb/8 gal (27.2 kg/575 l)

**FRONTLINE**  
international

PROJECT \_\_\_\_\_

QUANTITY \_\_\_\_\_

APPROVAL \_\_\_\_\_

DATE \_\_\_\_\_

## SPECIFICATIONS

Frontline International's optional Grill Grease System works with any of their Used oil systems to complete your Smart Oil Management program. The Grill Grease system allows you to collect your grill grease throughout the day and pump it into any of our Used containment tanks. Solids are collected in an extra large sediment basket. Safe, silicone heater prevents congealing.

## AGENCY APPROVAL OPTIONS

- UL 197
- UL 1889
- CE
- UKCA

## POWER CORD CONFIGURATION Select one of the following.

- NA (North America):** Standard: NEMA 5-15 Voltage: 120V Frequency: 60Hz
- EU (European Union):** Standard: CEE 7/7 (Type F) Voltage: 230V Frequency: 50Hz
- UK (United Kingdom):** Standard: BS 1363 Voltage: 230V Frequency: 50Hz
- AU (Australia):** Standard: AS/NZS 3112 Voltage: 230V Frequency: 50Hz

## STANDARD FEATURES

- 100% heavy stainless steel construction
- Safe silicone heater to prevent congealing
- Swivel front and rear casters with brakes
- Extra-large grill sediment basket
- Power switch and "break away" power cord
- Easy, quick-disconnect fittings
- Five-gallon (19 l) per minute pump
- Easy to clean seamless construction



Frontline International, Inc.

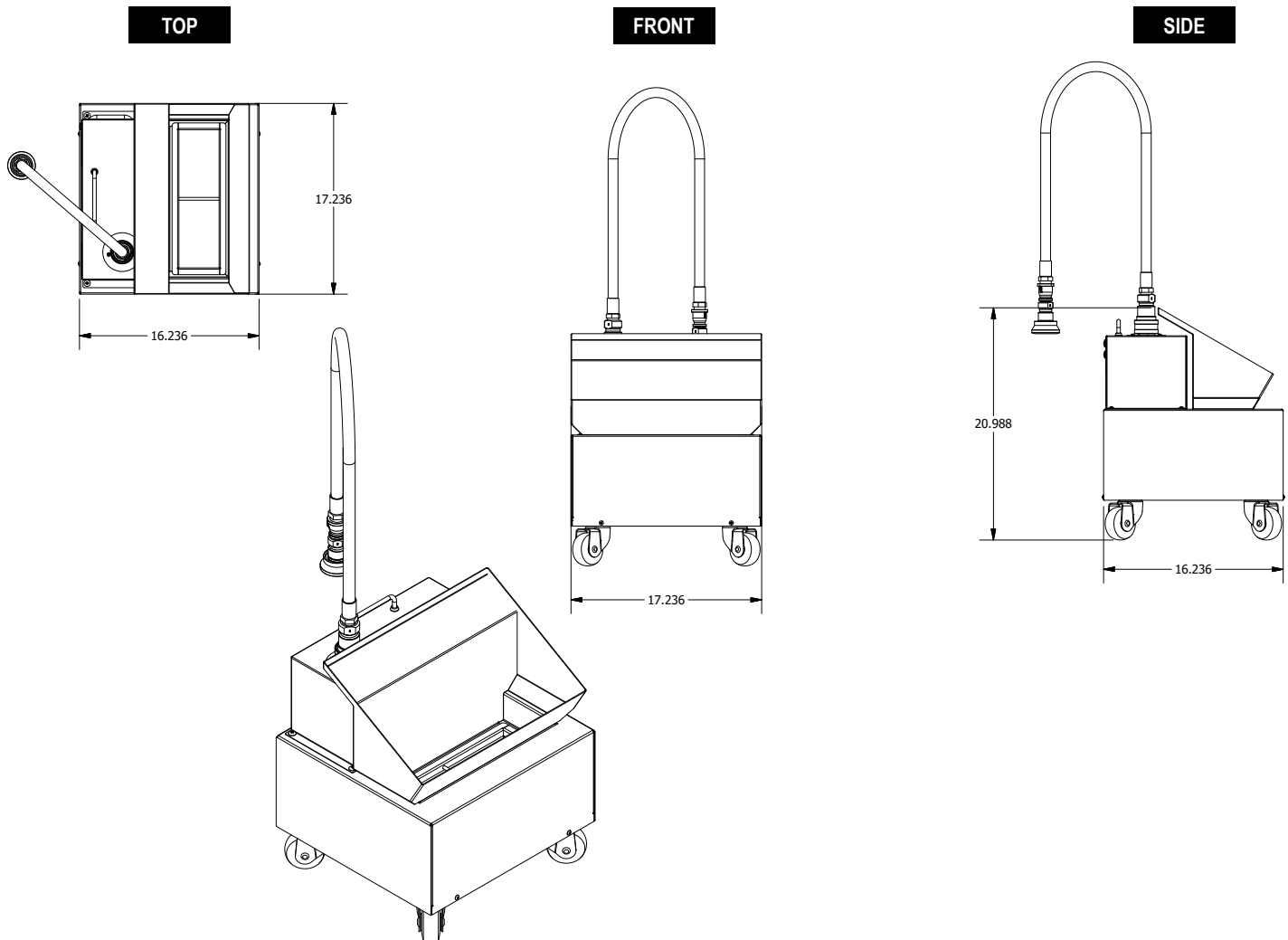
187 Ascot Parkway • Cuyahoga Falls, Ohio 44223 • 330-861-1100 • 877-776-1100 • [frontlineii.com](http://frontlineii.com) • Fax: 330-861-1105 • [info@frontlineii.com](mailto:info@frontlineii.com)

# MODEL LS-3-60GG

## GRILL GREASE CADDY

60 lb/8 gal (27.2 kg/575 l)

**FRONTLINE**  
international



MODEL	CAPACITY	SHIPPING WEIGHT	INSTALLATION SPACE REQUIREMENTS	POWER REQUIREMENTS
LS-3-60GG	60 lb/8 gal (27.2 kg/575 l)	72 lb/32.7 kg (130 lb/59 kg on pallet)	16.236 in. l x 17.236 in. w x 21 in. h (412.3 mm x 437.7 mm x 533.4 mm)	LV: 110 V 15 A, 60 Hz HV: 250 V 3.5 A, 50/60 Hz

\* Information is approximate and may vary at time of shipment due to options/add-ons per customer request.

### IMPORTANT

- The appliance is not to be used by persons (including children) with reduced physical, sensory or mental capabilities, or lack of experience and knowledge, unless they have been given supervision or instruction.
- Children should be supervised to ensure that they do not play with the appliance.
- If the supply cord is damaged, it must be replaced by the manufacturer, its service agent or similarly qualified persons in order to avoid a hazard.
- Not intended to be operated by means of an external timer or a separate remote-control system.
- This appliance is intended to be used in commercial kitchen applications.

**Frontline International, Inc.**

187 Ascot Parkway • Cuyahoga Falls, Ohio 44223 • 330-861-1100 • 877-776-1100 • [frontlineii.com](http://frontlineii.com) • Fax: 330-861-1105 • [info@frontlineii.com](mailto:info@frontlineii.com)