

# MODEL 10SS-RB

## FILTER MACHINE

HOLDS 75 lb/10 gal (34 kg/37.8 l)

**FRONTLINE™**  
international

PROJECT \_\_\_\_\_

QUANTITY \_\_\_\_\_

APPROVAL \_\_\_\_\_

DATE \_\_\_\_\_

### SPECIFICATIONS

The Flexible Filter System is a standalone cooking oil filtration system growing in popularity with customers. Since proper filtration is so important, Frontline International makes it easier with a system that lets users easily change to different types of filter media according to the restaurant's needs and oil usage: disposable paper filter element or reusable stainless steel.

### FILTER MEDIA Required

FP (paper media)

FS (stainless steel media)

### AGENCY APPROVAL OPTIONS

UL 197

UL 1889

CE

UKCA

### POWER CORD CONFIGURATION Select one of the following.

NA (North America): Standard: NEMA 5-15 Voltage: 120V Frequency: 60Hz

EU (European Union): Standard: CEE 7/7 (Type F) Voltage: 230V Frequency: 50Hz

UK (United Kingdom): Standard: BS 1363 Voltage: 230V Frequency: 50Hz

AU (Australia): Standard: AS/NZS 3112 Voltage: 230V Frequency: 50Hz

### STANDARD FEATURES

- 100% heavy stainless steel construction
- Seamless integration with Frontline International containment systems
- Smooth rolling heavy-duty, non-mark casters
- Swivel front casters with brakes
- Extra large "crumb catcher" basket
- Power switch and "break away" power cord
- Removable handle
- Lock-in-place safety cover
- Easy, quick-disconnect fittings
- High-temperature hose
- Specially designed 5-gallon (19 l) per minute pump
- Special filter screen to protect pump



Frontline International's representatives can advise which filter is recommended for your operation, based on the type of food you fry and the frequency of frying.

**Frontline International, Inc.**

187 Ascot Parkway • Cuyahoga Falls, Ohio 44223 • 330-861-1100 • 877-776-1100 • frontlineii.com • Fax: 330-861-1105 • info@frontlineii.com

# MODEL 10SS-RB

**FRONTLINE**  
international

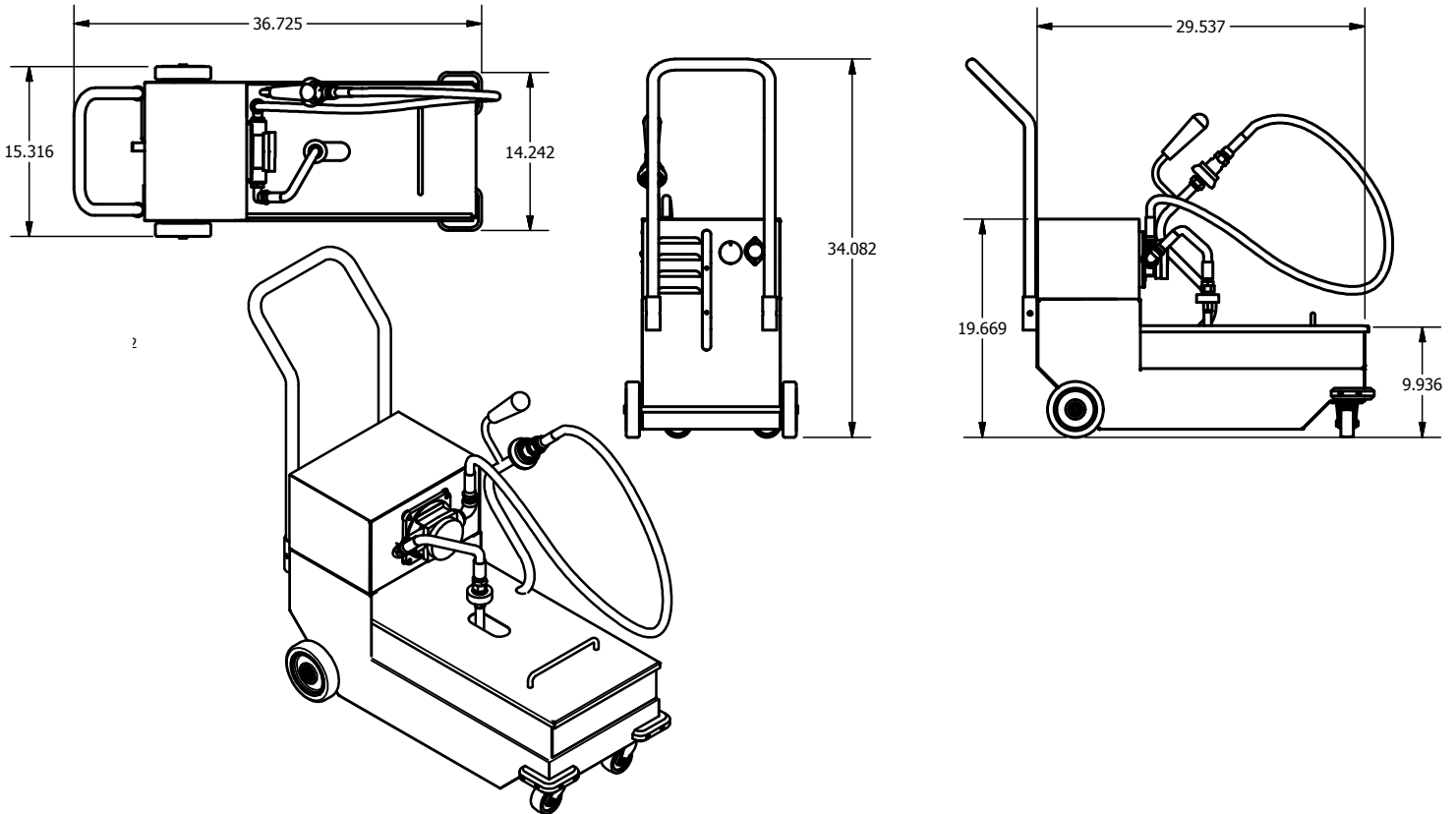
## FILTER MACHINE

HOLDS 75 lb/10 gal (34 kg/37.8 l)

TOP

BACK

SIDE



MODEL	CAPACITY	SHIPPING WEIGHT	INSTALLATION SPACE REQUIREMENTS	POWER REQUIREMENTS
10SS-RB	75 lb /10 gal (34 kg/37.8 l)	125 lbs (56.7 kg)	36.75 in. l x 15.5 in. w x 34.25 in. h (933.5 mm x 393.7 mm x 870 mm)	LV: 110 V 15 A, 60 Hz HV: 250 V 3.5 A, 50/60 Hz

\* Information is approximate and may vary at time of shipment due to options/add-ons per customer request.

### IMPORTANT

- The appliance is not to be used by persons (including children) with reduced physical, sensory or mental capabilities, or lack of experience and knowledge, unless they have been given supervision or instruction.
- Children should be supervised to ensure that they do not play with the appliance.
- If the supply cord is damaged, it must be replaced by the manufacturer, its service agent or similarly qualified persons in order to avoid a hazard.
- Not intended to be operated by means of an external timer or a separate remote-control system.
- This appliance is intended to be used in commercial kitchen applications.

**Frontline International, Inc.**

187 Ascot Parkway • Cuyahoga Falls, Ohio 44223 • 330-861-1100 • 877-776-1100 • [frontlineii.com](http://frontlineii.com) • Fax: 330-861-1105 • [info@frontlineii.com](mailto:info@frontlineii.com)