



USED COOKING OIL CONTAINMENT TANK

MODEL 3073SQDC-O

DOUBLE WALL

Double-walled version of our outdoor square tank. "Tank within a tank" construction includes 115% secondary containment.

CONSTRUCTION AND FEATURES

- Heavy-gauge stainless steel exterior
- Outdoor configuration; tank insulated to withstand extreme temperatures
- Freestanding, 30 in. l x 30 in. w x 73 in. h (762mm x 762mm x 1855mm)
- Stainless steel tank platform bottom
- Tank capacity 1200 Lb/160 Gal (590 kg/606 l)
- Control panel with power indication or digital reader
- Level indicators with safety overflow protection
- Suitable for Direct-Plumbed®, Remote-Plumbed® or Caddy systems
- Easy to access and service components
- One-year warranty on all parts and components
- Worldwide delivery and installation available

BENEFITS

- Minimal or no handling of hot Used shortening
- Insurance and Workers' Comp savings
- Less employee downtime
- Labor savings and greater employee safety
- Cleaner grounds and image
- Used oil of higher value to collection companies
- Avoid pollution fines

Installation and Operating Specifications

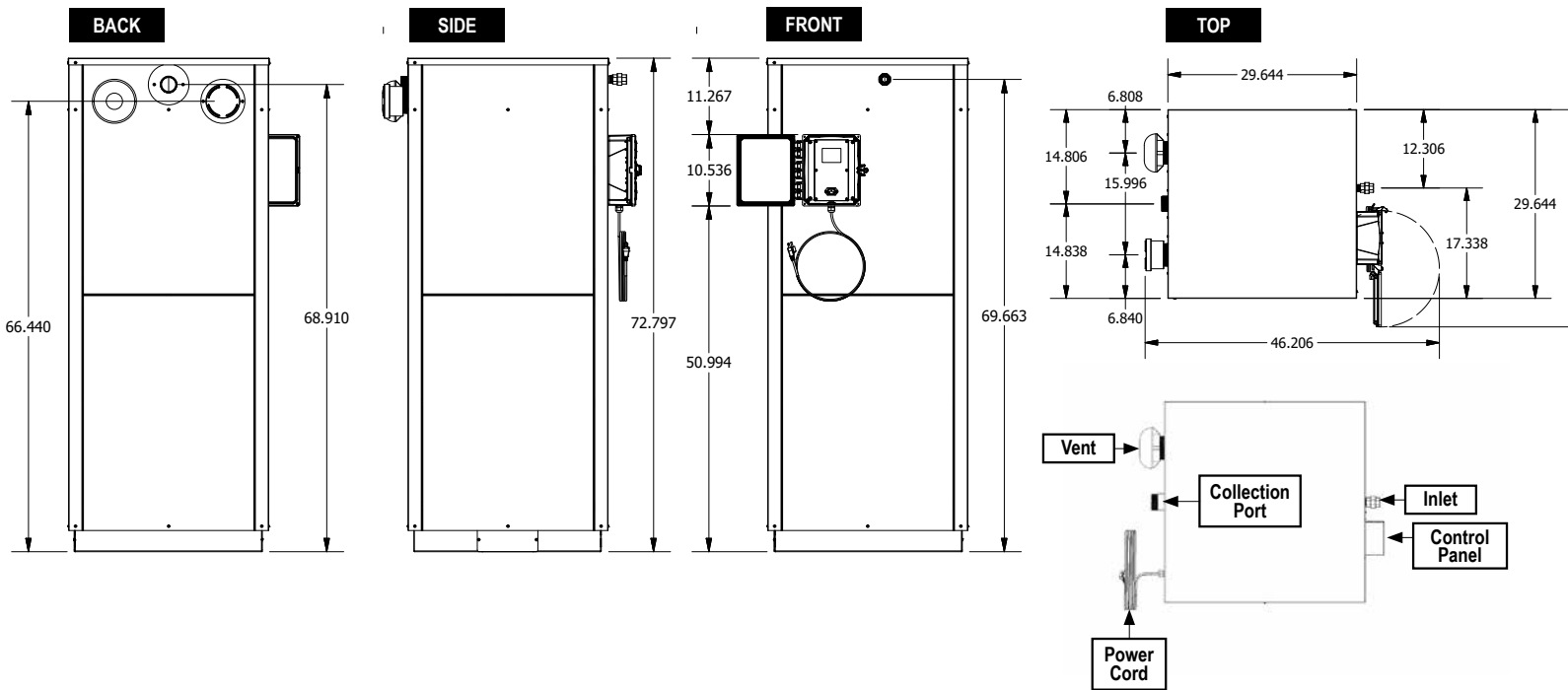
Model	3073SQDC-O Containment Tank
Power Requirements	NA: 110 V 15 A, 60 Hz HV: 250 V 3.5 A, 50/60 Hz
Installation Space Requirements	30 in. l x 30 in. w x 73 in. h (762mm x 762mm x 1855mm)
Shortening Capacity	1200 Lb/160 Gal (590 kg/606 l)
Shipping Weight	580 lb (263 kg)
Documentation	Installation guide, Operating guide
Warranty	One-year parts and labor



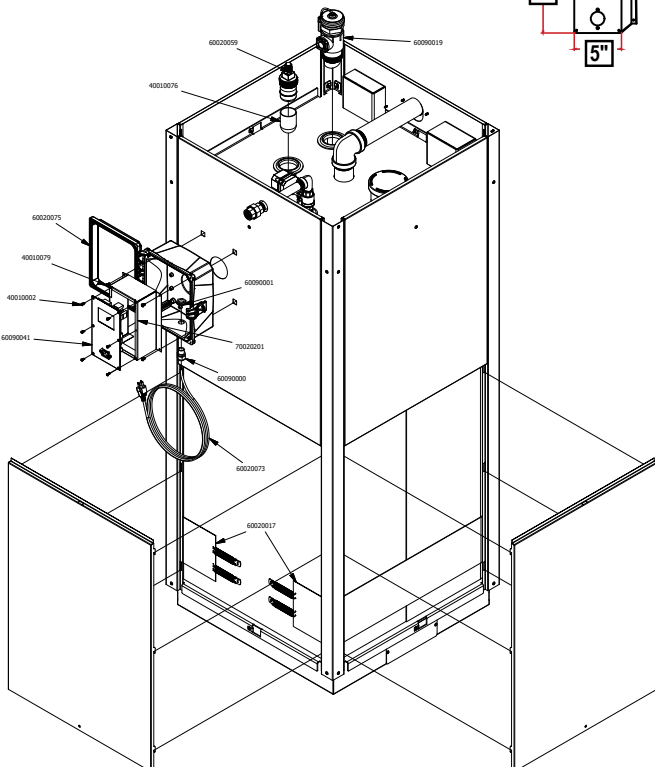
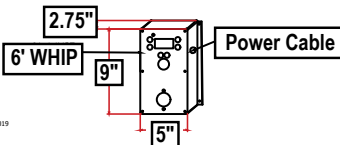
USED COOKING OIL CONTAINMENT TANK

MODEL 3073SQDC-O

DOUBLE WALL



Control Panel attached to side of tank in weather-proof enclosure.



IMPORTANT

- The appliance is not to be used by persons (including children) with reduced physical, sensory or mental capabilities, or lack of experience and knowledge, unless they have been given supervision or instruction.
- Children should be supervised to ensure that they do not play with the appliance.
- If the supply cord is damaged, it must be replaced by the manufacturer, its service agent or similarly qualified persons in order to avoid a hazard.
- Not intended to be operated by means of an external timer or a separate remote-control system.
- This appliance is intended to be used in commercial kitchen applications.

Frontline International, Inc.
 187 Ascot Parkway • Cuyahoga Falls, Ohio 44223
 330-861-1100 • 877-776-1100 • frontlineii.com
 Fax: 330-861-1105 • info@frontlineii.com

FRONTLINE
 international