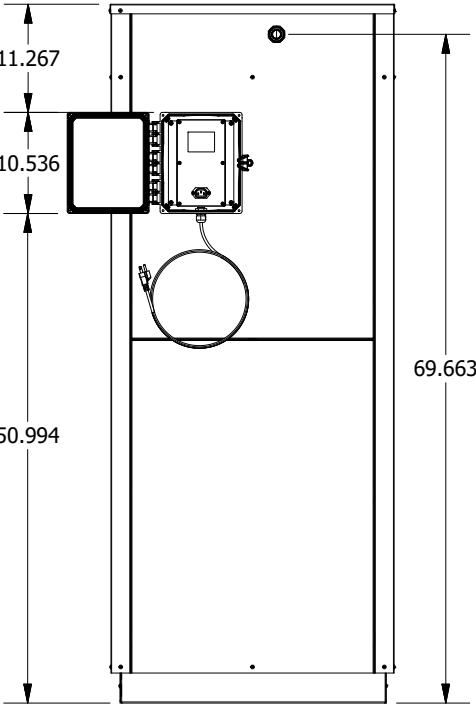
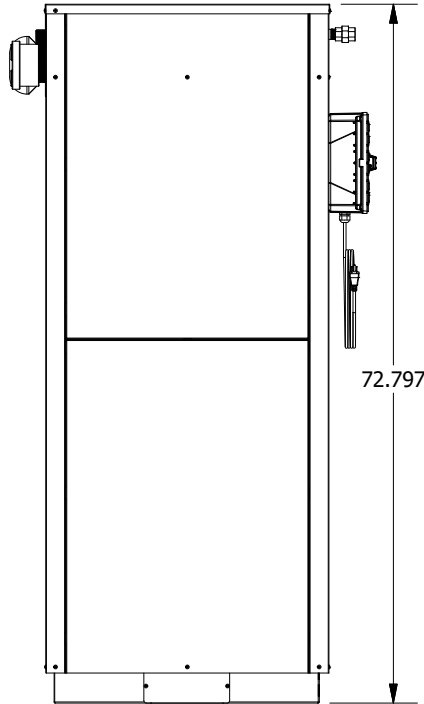
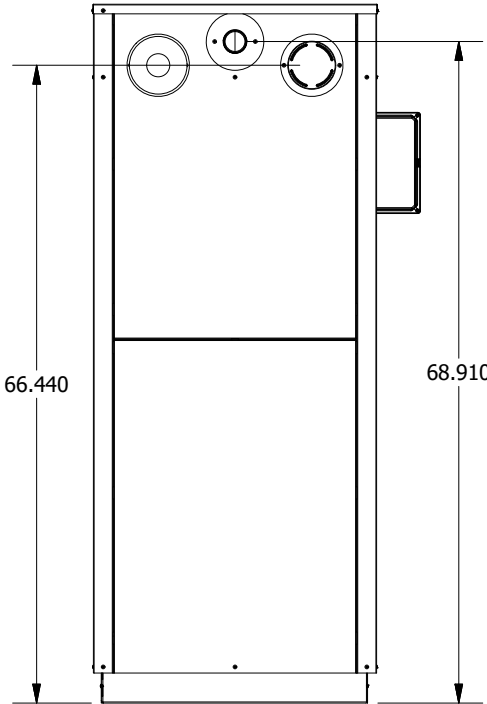
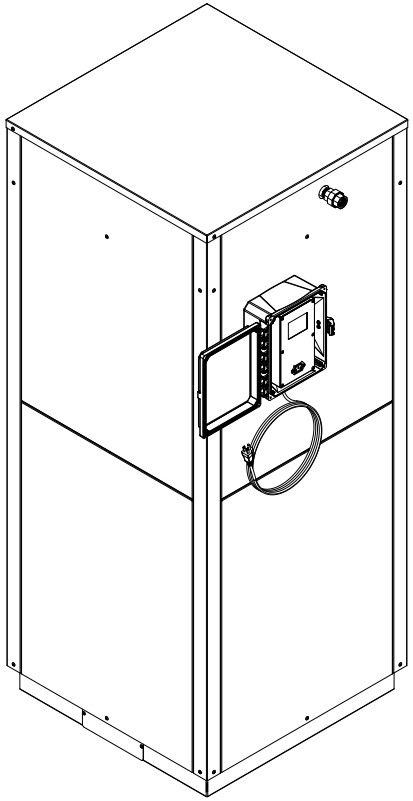
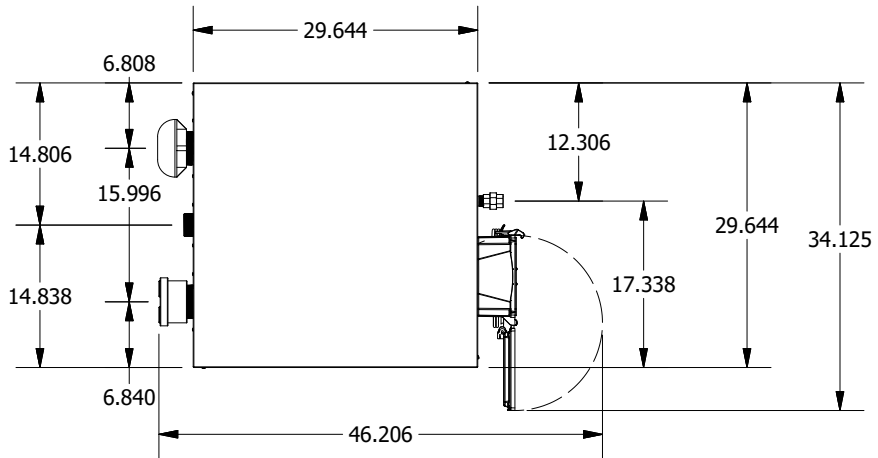


2

1



66.440

68.910

72.797

50.994

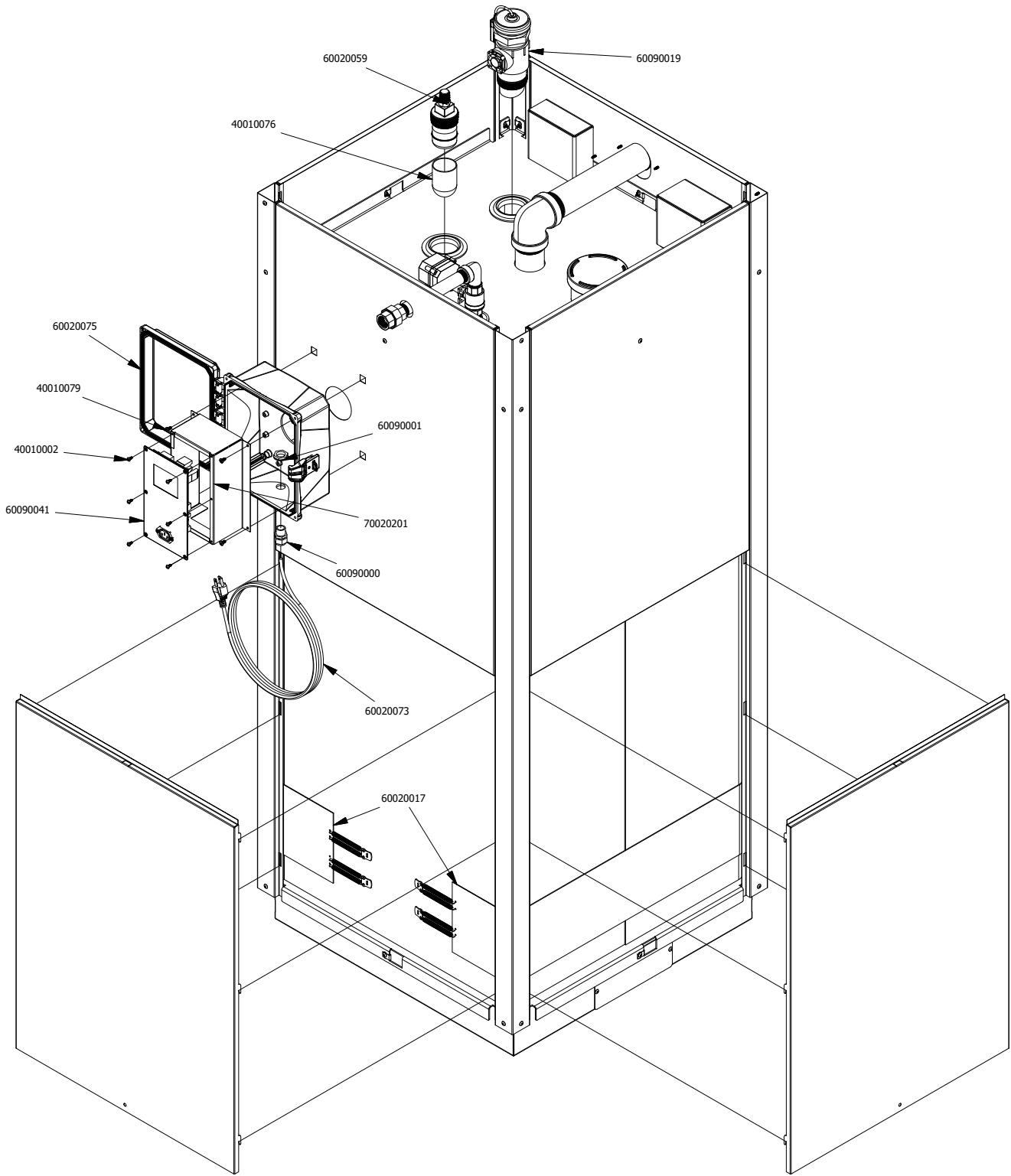
69.663

2

1

DRAWN BY	CCB	1/12/2023	FRONTLINE international 187 ASCOT PARKWAY CUYAHOGA FALLS, OH 44223 <small>TITLE 160 Gallon Capacity Outdoor Double Containment 110v Waste Oil Tank</small>
MATERIAL/FINISH	Various	A	
REVISION			
THIS DRAWING IS CONFIDENTIAL PROPERTY OF FRONTLINE INTERNATIONAL		TOLERANCES ARE: .XX: ± .010 .XXX: ± .005 ANGULAR: ± .5°	<small>PART NUMBER</small> 3073SQDC-O
			SHEET 1 OF 1

3073SQDC-O Parts View



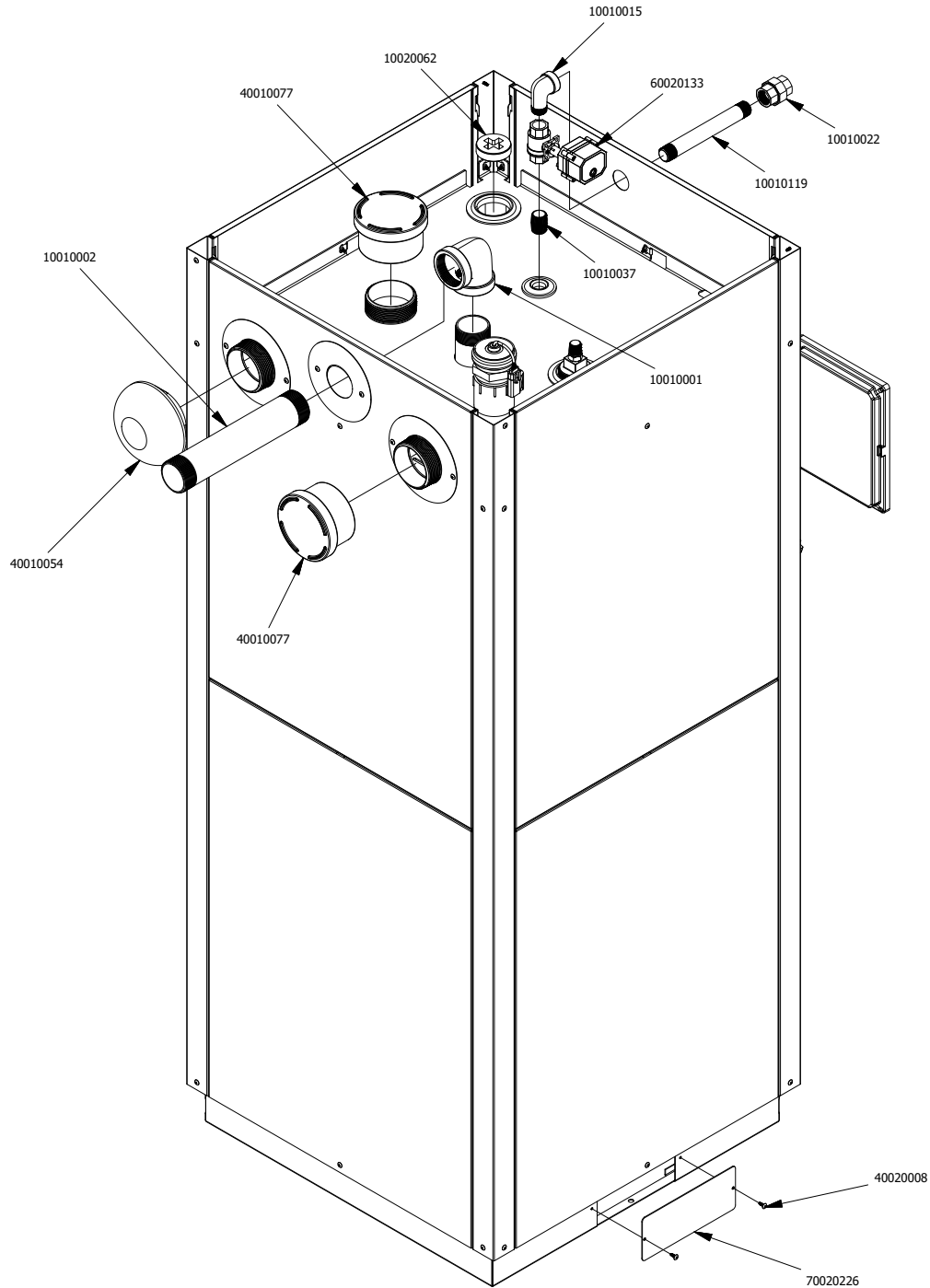
Part Number	Description	Qty	Part Number	Description	Qty
40010002	8-32 X 3/8" Panhead Screw	6	60020075	Weatherproof NEMA Enclosure	1
40010076	Silicone Cap for Mechanical Float Sensor	1	60090000	1/2" NPT Domed Cord Strain Relief	1
40010079	10-32 x 3/8 Panhead Screw	4	60090001	1/2" NPT Nut	1
60020017	120V 350W Heater Belt	2	60090019	MNU Level Sensor Assembly w/ Standpipe & Fan	1
60020059	Mechanical Float Sensor	1	60090041	M3 Gen 3 Control Panel assembled & mounted for NA	1
60020073	10' NEMA 5-15P Power Cord	1	70020201	NEMA Enclosure Mounting Bracket for M3 Control Panel	1

FRONTLINE
international
187 ASCOT PARKWAY
CUYAHOGA FALLS, OH 44223

TITLE: 3073SQDC-O Parts View
PART NUMBER: 3073SQDC-O

2/1/24 SHEET 1 OF 3

3073SQDC-O Parts View



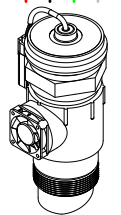
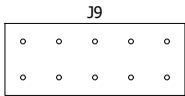
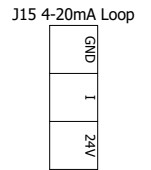
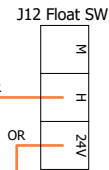
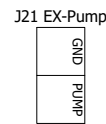
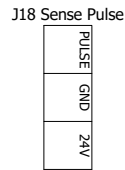
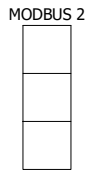
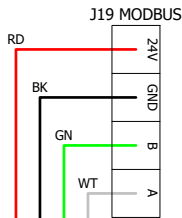
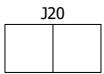
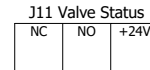
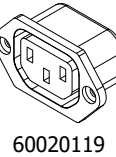
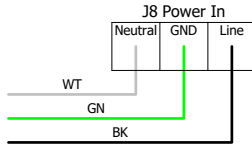
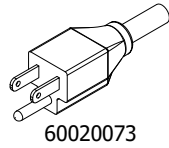
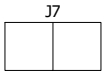
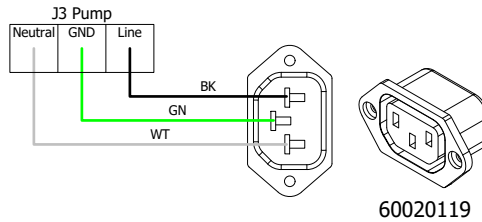
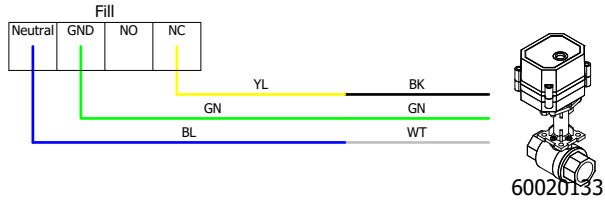
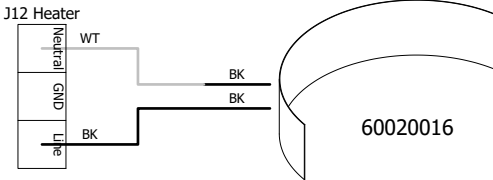
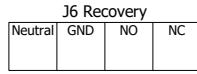
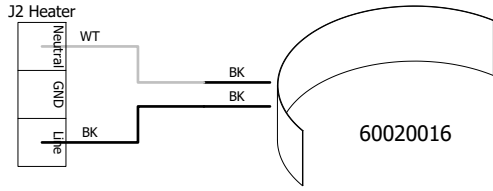
Part Number	Description	Qty	Part Number	Description	Qty
10010001	2" 90 Deg. Galv. Elbow	1	40010054	3" Tank Vent	1
10010002	2" X 12" Black Iron Nipple	1	40010076	Silicone Cap for Mechanical Float Sensor	1
10010015	3/4" Galv. 90 deg. Street Elbow	1	40010077	3" Spring-Loaded Emergency Vent	2
10010022	3/4" Galvanized Union	1	40020008	10-24 x 1/2" Truss Head Screw	38
10010037	3/4" Galv. Close Nipple	1	60020133	3/4" Two Way SS Valve w/ Spring Close	1
10010119	3/4" x 8" Galv. Nipple	1	70020226	Modular Tank Pallet Base Hole Cover	2
10020062	2" PVC Flush Plug	2			

FRONTLINE
international
187 ASCOT PARKWAY
CUYAHOGA FALLS, OH 44223

TITLE: 3073SQDC-O Parts View
PART NUMBER: 3073SQDC-O

2/1/24 SHEET 2 OF 3

M3 Gen 3 Control Panel Wiring Diagram



60090019

NOTE:
Shield Braid should be connected to GND



60020059

TOLERANCES ARE:
.XX: ± .010
.XXX: ± .005
ANGULAR: ± .5°

FRONTLINE
international

187 ASCOT PARKWAY
CUYAHOGA FALLS, OH 44223

THIS DRAWING IS
CONFIDENTIAL
PROPERTY OF
FRONTLINE
INTERNATIONAL

TITLE 3073SQDC-O Wiring
Diagram

DRAWN CCB SHEET 3 OF 3