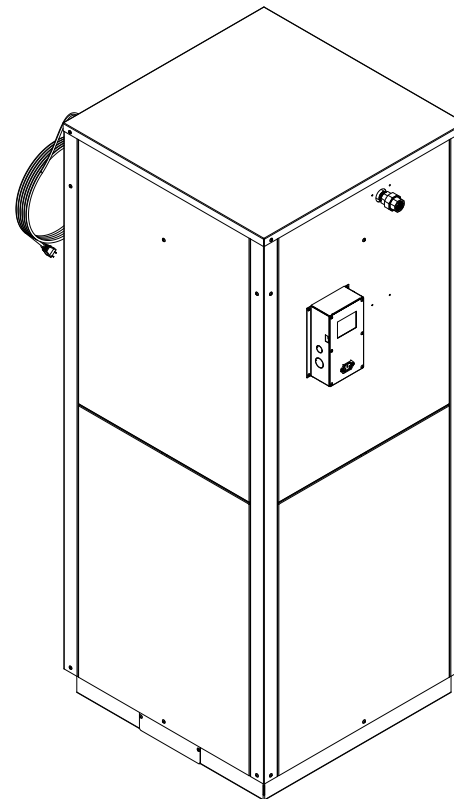
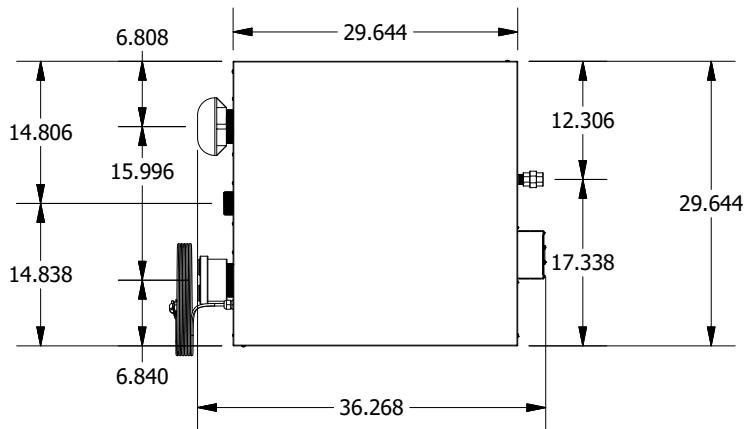


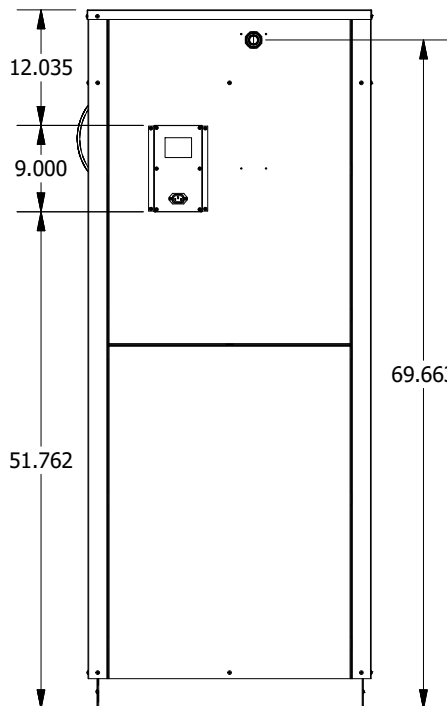
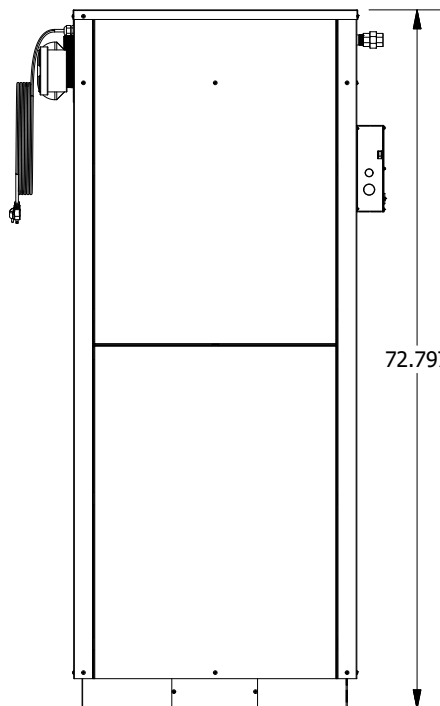
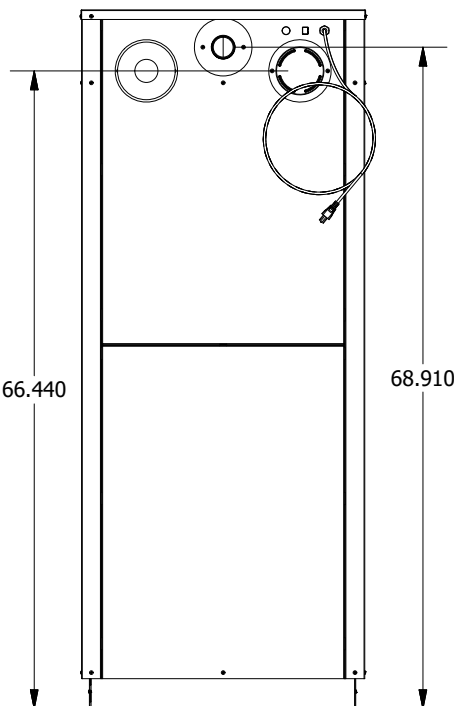
2

1



B

B



A

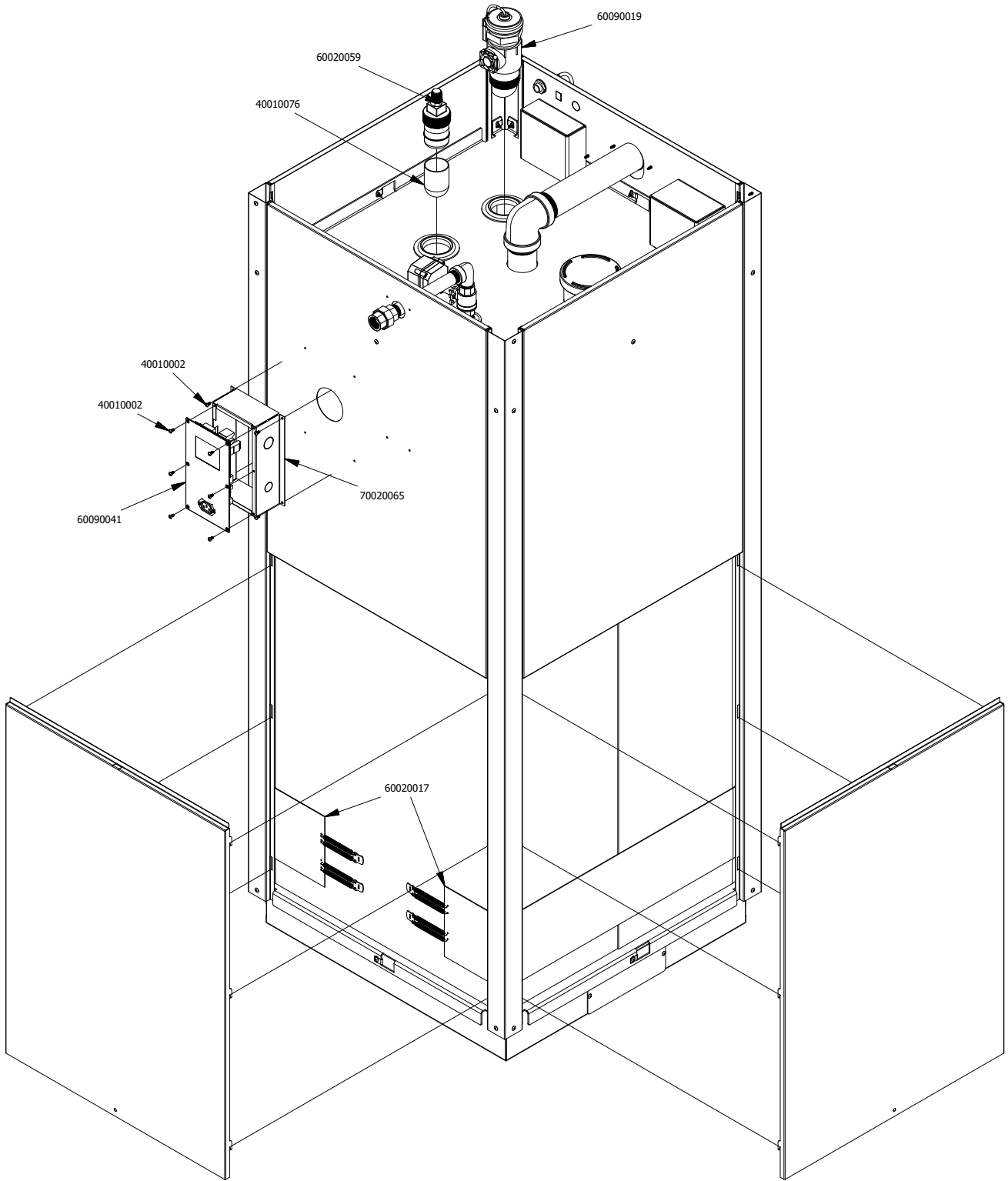
A

2

1

DRAWN BY	CCB	1/12/2023	FRONTLINE international 187 ASCOT PARKWAY CUYAHOGA FALLS, OH 44223
MATERIAL/FINISH	Various		
REVISION	A		
THIS DRAWING IS CONFIDENTIAL PROPERTY OF FRONTLINE INTERNATIONAL		TOLERANCES ARE: .XX: ± .010 .XXX: ± .005 ANGULAR: ± .5°	<small>TITLE</small> 160 Gallon Capacity Indoor Double Containment 110v Waste Oil Tank <small>PART NUMBER</small> 3073SQDC
			SHEET 1 OF 1

3073SQDC Parts View

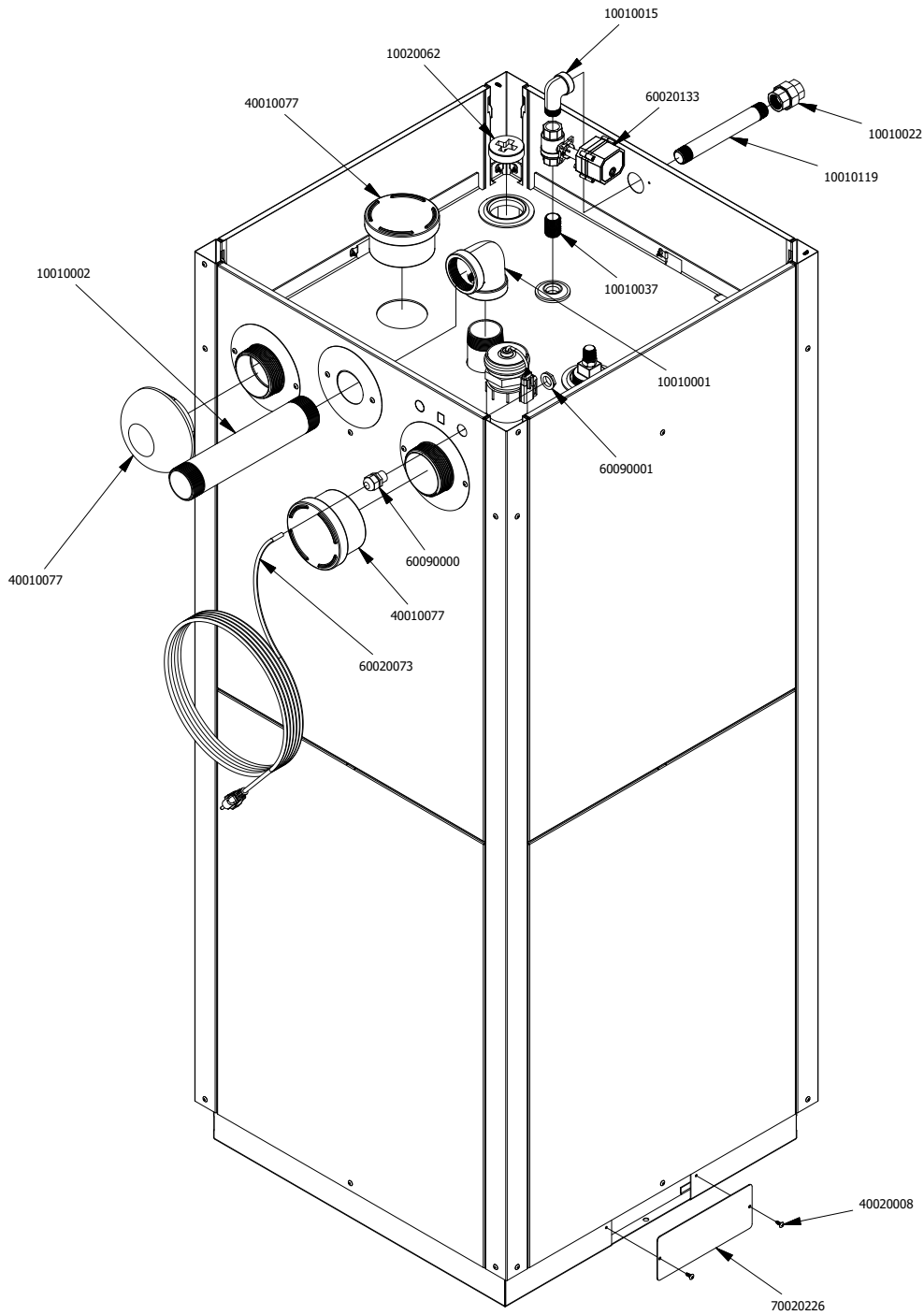


Part Number	Description	Qty	Part Number	Description	Qty
40010076	Silicone Cap for Mechanical Float Sensor	1	60090041	M3 Gen 3 Control Panel assembled & mounted for NA	1
60020017	120V 350W Heater Belt	2	40010002	8-32 X 3/8" Panhead Screw	10
60020059	Mechanical Float Sensor	1	70020065	Flat Back Mounting Bracket for M3 Control Panel	1
60090019	MNU Level Sensor Assembly w/ Standpipe & Fan	1			

FRONTLINE
international
187 ASCOT PARKWAY
CUYAHOGA FALLS, OH 44223

TITLE 3073SQDC Parts View
PART NUMBER 3073SQDC
2/1/24 SHEET 1 OF 3

3073SQDC Parts View

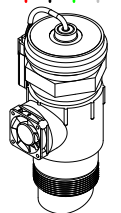
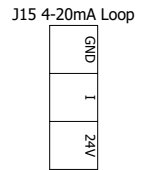
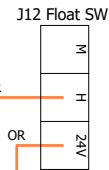
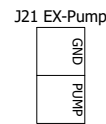
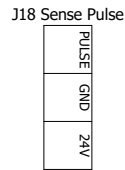
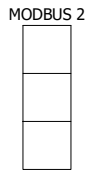
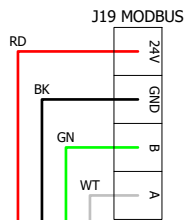
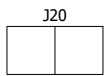
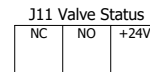
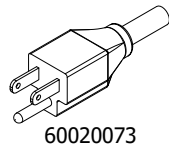
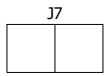
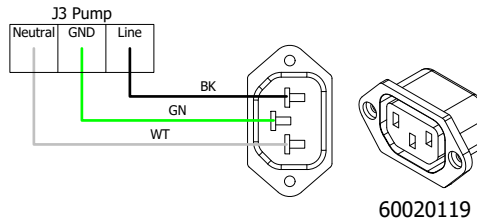
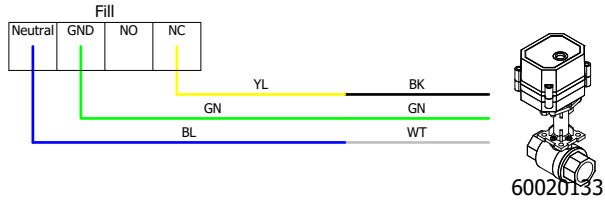
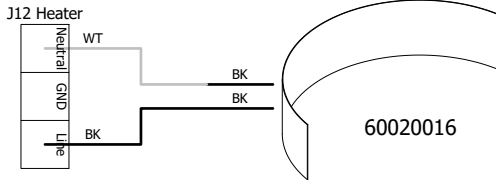
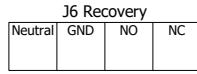
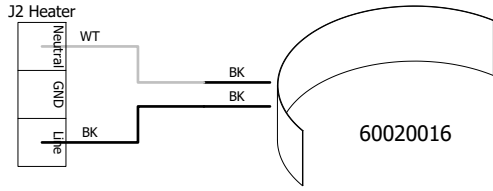


Part Number	Description	Qty	Part Number	Description	Qty
10010001	2" 90 Deg. Galv. Elbow	1	40010077	3" Spring-Loaded Emergency Vent	2
10010002	2" X 12" Black Iron Nipple	1	40020008	10-24 x 1/2" Truss Head Screw	38
10010015	3/4" Galv. 90 deg. Street Elbow	1	60020073	10' NEMA 5-15P Power Cord	1
10010022	3/4" Galvanized Union	1	60020133	3/4" Two Way SS Valve w/ Spring Close	1
10010037	3/4" Galv. Close Nipple	1	60090000	1/2" NPT Domed Cord Strain Relief	1
10010119	3/4" x 8" Galv. Nipple	1	60090001	1/2" NPT Nut	1
10020062	2" PVC Flush Plug	1	70020226	Modular Tank Pallet Base Hole Cover	2
40010054	3" Tank Vent	1			

FRONTLINE
international
187 ASCOT PARKWAY
CUYAHOGA FALLS, OH 44223

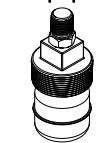
TITLE 3073SQDC Parts View
PART NUMBER 3073SQDC
2/1/24 SHEET 2 OF 3

M3 Gen 3 Control Panel Wiring Diagram



60090019

NOTE:
Shield Braid should be connected to GND



60020059

TOLERANCES ARE:
.XX: ± .010
.XXX: ± .005
ANGULAR: ± .5°

FRONTLINE
international

187 ASCOT PARKWAY
CUYAHOGA FALLS, OH 44223

THIS DRAWING IS
CONFIDENTIAL
PROPERTY OF
FRONTLINE
INTERNATIONAL

TITLE
3073SQDC Wiring Diagram

DRAWN CCB SHEET 3 OF 3