



USED COOKING OIL CONTAINMENT TANK

MODEL 4073SQ

Indoor version of our space-saving square tank with a larger footprint. Can be housed anywhere indoors, including far away from fryer vats if necessary. Direct-Plumbed®, pump station, and caddy options create added versatility and convenience.

CONSTRUCTION AND FEATURES

- Heavy-gauge stainless steel exterior
- Freestanding, 40 in. l x 40 in. w x 73 in. h (1016mm x 1016mm x 1855mm)
- Stainless steel tank platform bottom
- Tank capacity 2640 Lb/352 Gal (1197 kg/1332 l)
- Control panel with power indication or digital reader
- Level indicators with safety overflow protection
- Suitable for Direct-Plumbed®, Remote-Plumbed® or Caddy systems
- Easy to access and service components
- One-year warranty on all parts and components
- Worldwide delivery and installation available

BENEFITS

- Minimal or no handling of hot Used shortening
- Insurance and Workers' Comp savings
- Less employee downtime
- Labor savings and greater employee safety
- Cleaner grounds and image
- Used oil of higher value to collection companies
- Avoid pollution fines

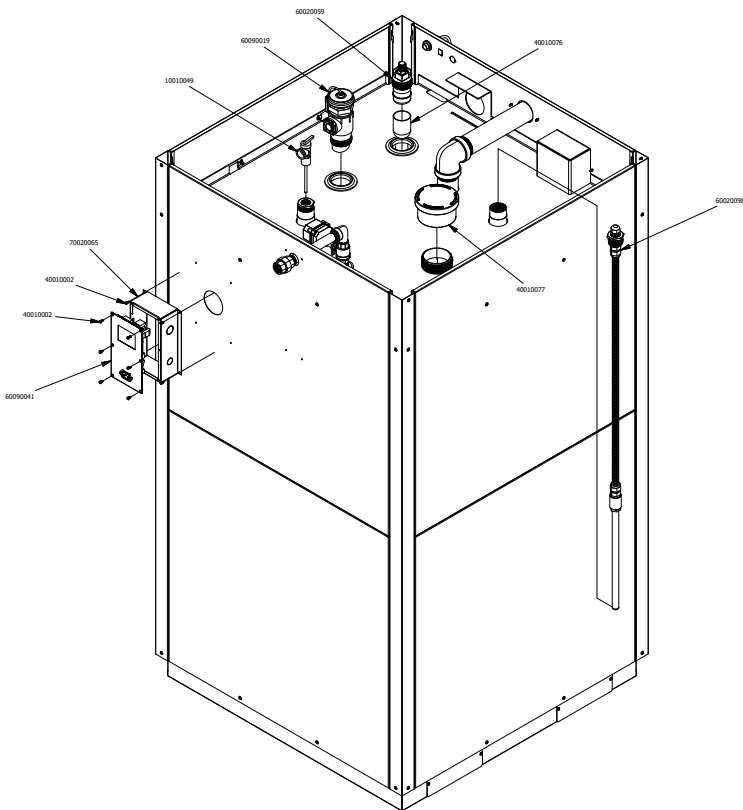
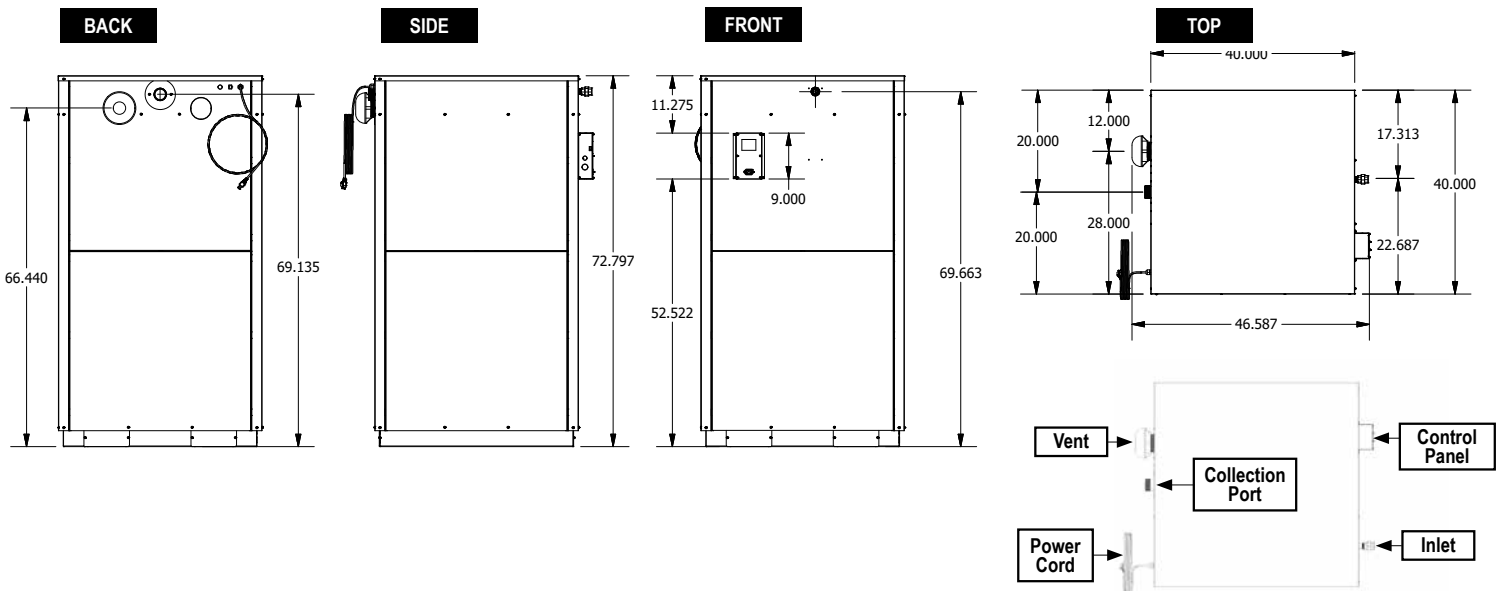
Installation and Operating Specifications

Model	4073SQ-NA Containment Tank
Power Requirements	NA: 110 V 15 A, 60 Hz HV: 250 V 3.5 A, 50/60 Hz
Installation Space Requirements	40 in. l x 40 in. w x 73 in. h (1016mm x 1016mm x 1855mm)
Shortening Capacity	2640 Lb/352 Gal (1197 kg/1332 l)
Shipping Weight	600 lb (272 kg)
Documentation	Installation guide, Operating guide
Warranty	One-year parts and labor



USED COOKING OIL CONTAINMENT TANK

MODEL 4073SQ



IMPORTANT

- The appliance is not to be used by persons (including children) with reduced physical, sensory or mental capabilities, or lack of experience and knowledge, unless they have been given supervision or instruction.
- Children should be supervised to ensure that they do not play with the appliance.
- If the supply cord is damaged, it must be replaced by the manufacturer, its service agent or similarly qualified persons in order to avoid a hazard.
- Not intended to be operated by means of an external timer or a separate remote-control system.
- This appliance is intended to be used in commercial kitchen applications.

Frontline International, Inc.
 187 Ascot Parkway • Cuyahoga Falls, Ohio 44223
 330-861-1100 • 877-776-1100 • frontlineii.com
 Fax: 330-861-1105 • info@frontlineii.com

FRONTLINE
 international

© Frontline International, 11/23