

MODEL 10SS

TRANSPORT CADDY

HOLDS 75 lb/10 gal (34 kg/37.8 l)

FRONTLINE™
international

PROJECT _____
QUANTITY _____
APPROVAL _____
DATE _____

SPECIFICATIONS

Stainless steel transport caddies transport grill grease and cooking oil to the containment tank.

FILTER UPGRADE KITS

- FILTER-KIT-FP**
Caddy-To-Filtration System Upgrade Kit,
Paper Media Filter
- FILTER-KIT-FS**
Caddy-To-Filtration System Upgrade Kit,
Stainless Steel Media Filter

AGENCY APPROVAL OPTIONS

- UL 197**
- UL 1889**
- CE**
- UKCA**

POWER CORD CONFIGURATION Select one of the following.

- NA (North America):** Standard: NEMA 5-15 Voltage: 120V Frequency: 60Hz
- EU (European Union):** Standard: CEE 7/7 (Type F) Voltage: 230V Frequency: 50Hz
- UK (United Kingdom):** Standard: BS 1363 Voltage: 230V Frequency: 50Hz
- AU (Australia):** Standard: AS/NZS 3112 Voltage: 230V Frequency: 50Hz

OPTIONAL CONFIGURATIONS

- REVERSIBLE PUMP**
- HEATER**



STANDARD FEATURES

- 100% heavy stainless steel construction
- Smooth rolling heavy-duty, non-mark casters
- Swivel front casters with brakes
- Extra large “crumb catcher” basket
- Power switch and “break away” power cord
- Removable handle
- Lock-in-place safety cover
- Easy, quick-disconnect fittings
- High-temperature hose
- Specially designed 5-gallon (19 l) per minute pump
- Special filter screen to protect pump



Frontline International, Inc.

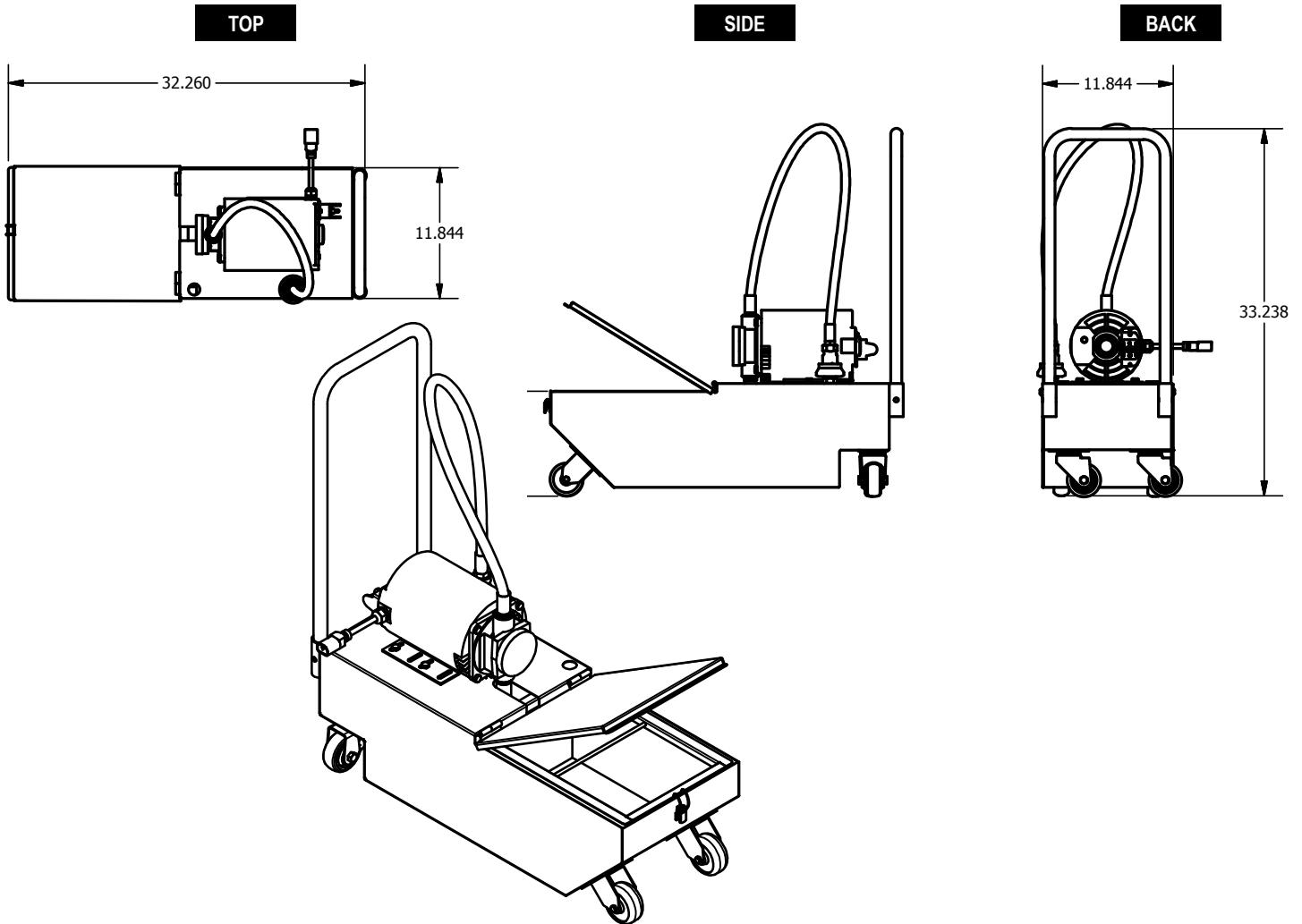
187 Ascot Parkway • Cuyahoga Falls, Ohio 44223 • 330-861-1100 • 877-776-1100 • frontlineii.com • Fax: 330-861-1105 • info@frontlineii.com

MODEL 10SS

TRANSPORT CADDY

HOLDS 75 lb/10 gal (34 kg/37.8 l)

FRONTLINE™
international



MODEL	CAPACITY	SHIPPING WEIGHT	INSTALLATION SPACE REQUIREMENTS	POWER REQUIREMENTS
10SS	75 lb /10 gal (34 kg/37.8 l)	125 lbs (56.7 kg)	32 in. l, 12 in. w, 9.5 in. h (812 mm x 305 mm x 241.3 mm)	LV: 110 V 15 A, 60 Hz HV: 250 V 3.5 A, 50/60 Hz

* Information is approximate and may vary at time of shipment due to options/add-ons per customer request.

IMPORTANT

- The appliance is not to be used by persons (including children) with reduced physical, sensory or mental capabilities, or lack of experience and knowledge, unless they have been given supervision or instruction.
- Children should be supervised to ensure that they do not play with the appliance.
- If the supply cord is damaged, it must be replaced by the manufacturer, its service agent or similarly qualified persons in order to avoid a hazard.
- Not intended to be operated by means of an external timer or a separate remote-control system.
- This appliance is intended to be used in commercial kitchen applications.

Frontline International, Inc.

187 Ascot Parkway • Cuyahoga Falls, Ohio 44223 • 330-861-1100 • 877-776-1100 • frontlineii.com • Fax: 330-861-1105 • info@frontlineii.com