

# MODEL 3078

# INDOOR USED COOKING OIL CONTAINMENT TANK

**FRONTLINE**  
international

PROJECT \_\_\_\_\_

QUANTITY \_\_\_\_\_

APPROVAL \_\_\_\_\_

DATE \_\_\_\_\_

## SPECIFICATIONS

Classic cylindrical tank with the innovative Frontline features you expect.



## STANDARD FEATURES

- Suitable for Direct-Plumbed®, Remote-Plumbed® or Caddy systems
- Heavy-gauge stainless steel exterior
- Freestanding
- Stainless steel tank platform bottom and legs
- Control panel with power indication or digital reader
- Level indicators with safety overflow protection
- Easy to access and service components

## SYSTEM CONFIGURATION Select one or both of the following.\*

- I-DP-KIT** Indoor Tank Direct-Plumbed® Configuration
- I-CADDY-KIT** Indoor Tank Caddy Configuration

\*You can Direct-Plumb your fryer and still choose/need a Caddy to draw oil from and move oil away from other FOG producing equipment.

## POWER CORD CONFIGURATION Select one of the following.

- NA (North America):** Standard: NEMA 5-15 Voltage: 120V Frequency: 60Hz
- EU (European Union):** Standard: CEE 7/7 (Type F) Voltage: 230V Frequency: 50Hz
- UK (United Kingdom):** Standard: BS 1363 Voltage: 230V Frequency: 50Hz
- AU (Australia):** Standard: AS/NZS 3112 Voltage: 230V Frequency: 50Hz

## PLUMBING OPTION

- INS-KIT** Oil Collection Port Installation Kit
- COLLECTION-VALVE-KIT** Anti-theft Locking Valve
- FRYER-HOSE-KIT** Fryer Oil Disposal Connection Hose.  
QTY of fryers \_\_\_\_
- R-CADDY-KIT** Indoor Remote Caddy configuration  
QTY of remote Caddy fill Station. \_\_\_\_

## INTERNET CONNECTIVITY OPTIONS

- INTERNET-KIT** Internet Connection Wired.
- WIFI-KIT** Wi-Fi Module Wireless.
- GSM-KIT** GSM Modems Mobile.

## AGENCY APPROVAL OPTIONS

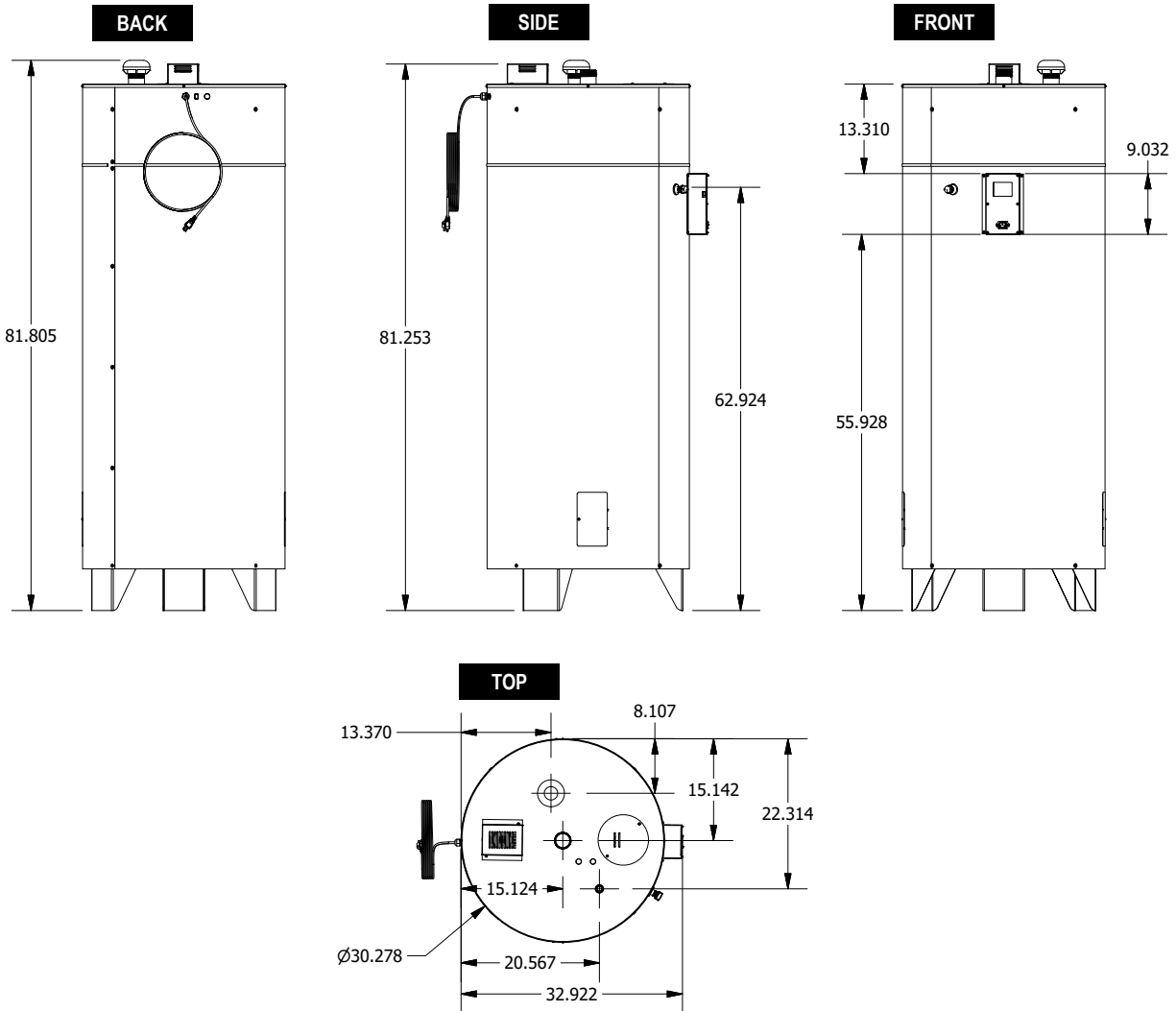
- UL 197**                       **CE**
- UL NSF**                      **UKCA**
- UL 142/NFPA30**

Frontline International, Inc.

187 Ascot Parkway • Cuyahoga Falls, Ohio 44223 • 330-861-1100 • 877-776-1100 • frontlineii.com • Fax: 330-861-1105 • info@frontlineii.com

# MODEL 3078

## INDOOR USED COOKING OIL CONTAINMENT TANK



MODEL	TANK CAPACITY	SHIPPING WEIGHT	Installation Space Requirements	Power Requirements
3078	1200 Lb/165 Gal (545 kg/625 l)	400 lb (181 kg)	30.25 in. l x 30.25 in. w x 85 in. h (762 mm x 762 mm x 2159 mm)	LV: 110 V 15 A, 60 Hz HV: 250 V 3.5 A, 50/60 Hz

\* Information is approximate and may vary at time of shipment due to options/add-ons per customer request.

### IMPORTANT

- The appliance is not to be used by persons (including children) with reduced physical, sensory or mental capabilities, or lack of experience and knowledge, unless they have been given supervision or instruction.
- Children should be supervised to ensure that they do not play with the appliance.
- If the supply cord is damaged, it must be replaced by the manufacturer, its service agent or similarly qualified persons in order to avoid a hazard.
- Not intended to be operated by means of an external timer or a separate remote-control system.
- This appliance is intended to be used in commercial kitchen applications.