



# EZ OIL™ FRESH OIL DISPENSING SYSTEM

## MODEL RACK20

The Frontline International EZ Oil™ Fresh Oil Dispensing System is an automated, convenient, safer and more cost-effective way to refill fryers. Simply place boxes or jugs upside-down in Frontline International racks and fill your fryers. Massive reservoir holds 19 jibs of fresh cooking oil. The system is directly plumbed to the fryer for a fully automated solution. Upside-down storage dispenses every drop of oil, increasing yields by up to 5%.

### CONSTRUCTION AND FEATURES

- Heavy-gauge stainless steel construction
- Freestanding 30 in. l x 30 in. w x 48 in. h (762mm x 762mm x 1219mm)
- Standard shortening capacity: 675 lb/90 gal (306 kg/340 l)
- For multiple fryers or multiple kitchens, standard three jib dispensing configuration can be upgraded to link multiple jib racks, increasing fill capacity
- Control panel with alarm
- UL, UL Sanitation Listed (U.S. and Canada)
- Suitable for automatic top-off systems
- Easy to access and service components
- One-year warranty on all parts and components
- Worldwide delivery and installation available

### BENEFITS

- Minimal handling of fresh cooking oil
- Insurance and Workers' Comp savings
- Less employee downtime
- Labor savings and greater employee safety
- Great option to bulk delivery of cooking oil
- Avoid pollution fines

### Installation and Operating Specifications

Model	RACK20-NA RACK SYSTEM
Power Requirements	NA: 110 V 15 A, 60 Hz HV: 250 V 3.5 A, 50/60 Hz
Installation Space Requirements	30 in. l x 30 in. w x 48 in. h (762 mm x 762 mm x 1219 mm)
Shortening Capacity	675 lb/90 gal (306 kg/340 l)
Shipping Weight	150 lb (68 kg)
Documentation	Installation guide, Operating guide
Warranty	One-year parts and labor



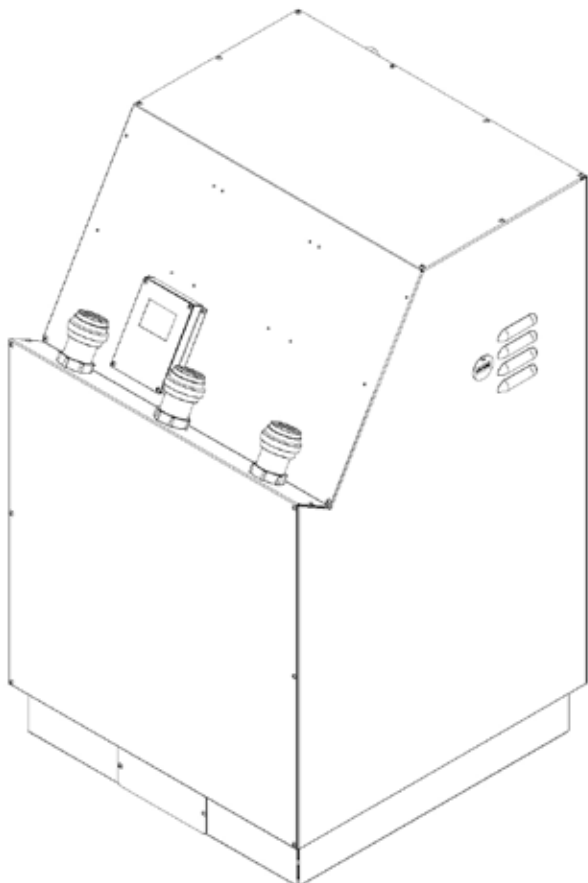
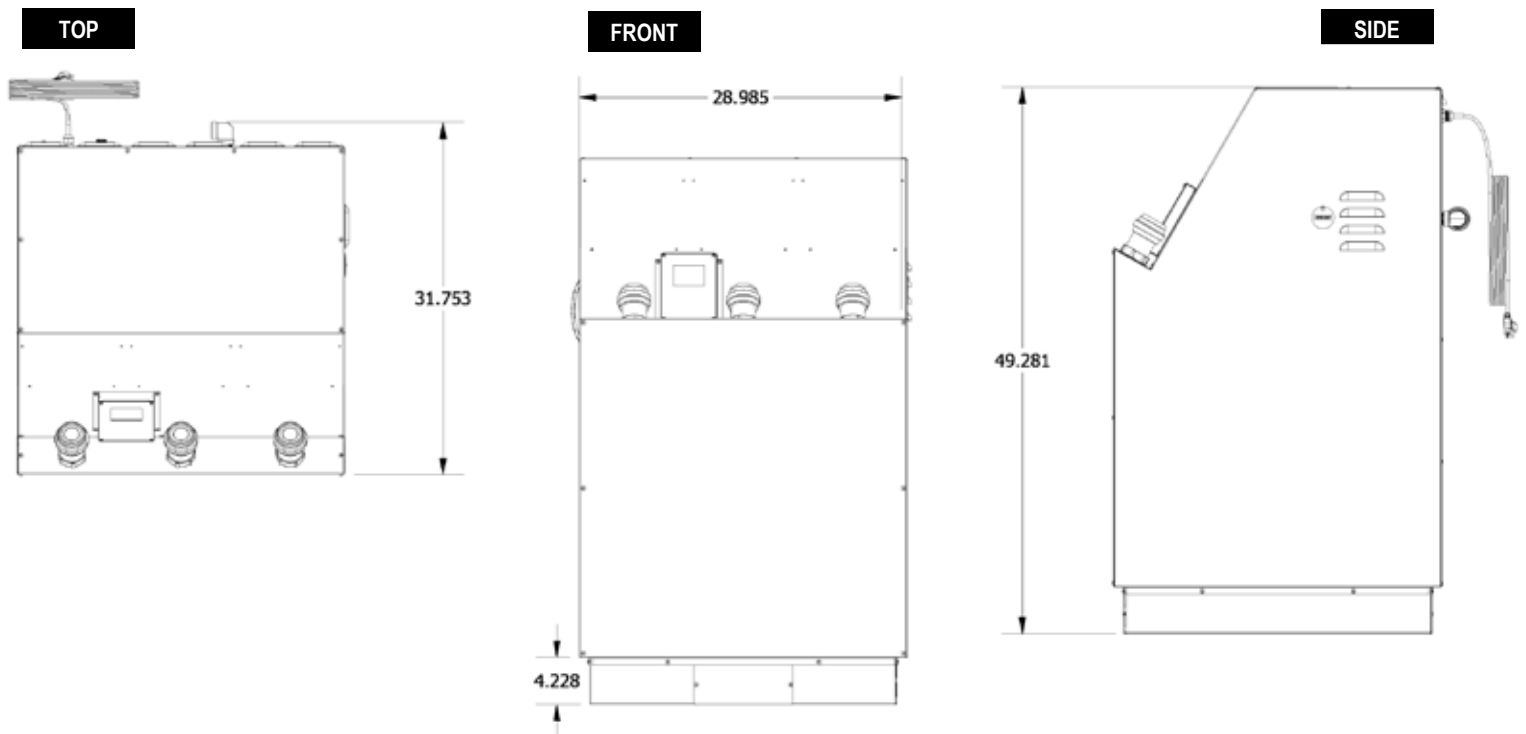
**Frontline International, Inc.**  
187 Ascot Parkway • Cuyahoga Falls, Ohio 44223  
330-861-1100 • 877-776-1100 • [frontlineii.com](http://frontlineii.com)  
Fax: 330-861-1105 • [info@frontlineii.com](mailto:info@frontlineii.com)

**FRONTLINE**  
international

© Frontline International, 11/23

# EZ OIL™ FRESH OIL DISPENSING SYSTEM

MODEL RACK20



## IMPORTANT

- The appliance is not to be used by persons (including children) with reduced physical, sensory or mental capabilities, or lack of experience and knowledge, unless they have been given supervision or instruction.
- Children should be supervised to ensure that they do not play with the appliance.
- If the supply cord is damaged, it must be replaced by the manufacturer, its service agent or similarly qualified persons in order to avoid a hazard.
- Not intended to be operated by means of an external timer or a separate remote-control system.
- This appliance is intended to be used in Commercial kitchen applications
- Regarding Frontline International Fresh Oil Pump Station (FOPS): the maximum total head available is 5m.

**Frontline International, Inc.**  
187 Ascot Parkway • Cuyahoga Falls, Ohio 44223  
330-861-1100 • 877-776-1100 • [frontlineii.com](http://frontlineii.com)  
Fax: 330-861-1105 • [info@frontlineii.com](mailto:info@frontlineii.com)

**FRONTLINE**  
international

© Frontline International, 11/23