



FILTER MACHINE

MODEL 10SS-NA-RB

The Flexible Filter System is a standalone cooking oil filtration system growing in popularity with customers. Since proper filtration is so important, Frontline International makes it easier with a system that lets users easily change to different types of filter media according to the restaurant's needs and oil usage: disposable paper filter element or reusable stainless steel

CONSTRUCTION AND FEATURES

- Holds 75 lb (10 gal) (34 kg/37.8 l)
- 100% heavy stainless steel construction
- Seamless integration with Frontline International containment systems
- Smooth rolling heavy-duty, non-mark casters
- Swivel front casters with brakes
- Extra large "crumb catcher" basket
- Power switch and "break away" power cord
- Removable handle
- Lock-in-place safety cover
- Easy, quick-disconnect fittings
- High-temperature hose
- 110 V 15 A - 250 V 3.5 A industrial 1/2HP motor
- Specially designed 5-gallon (19 l) per minute pump
- Roller pump will not "shear" oil during filtration
- Special filter screen to protect pump
- Easy-to-clean, seamless construction
- UL, UL Sanitation Listed
- One-year warranty on all components



Installation and Operating Specifications

| | |
|----------|---|
| Model | 10SS-NA-RB-FP (paper media) 10SS-NA-RB-FS (stainless steel media) |
| Size | 36.75 in L x 15.5 in W x 34.25 in H (933.5 mm x 393.7 mm x 870 mm) |
| Power | 110 V 15 A - 250 V 3.5 A, 50/60 Hz |
| Capacity | 75 lb /10 gal (34 kg/37.8 l) |
| Ship Wt. | 125 lbs (56.7 kg) |



Frontline International's representatives can advise which filter is recommended for your operation, based on the type of food you fry and the frequency of frying.

Frontline International, Inc.
187 Ascot Parkway • Cuyahoga Falls, Ohio 44223
330-861-1100 • 877-776-1100 • frontlineii.com
Fax: 330-861-1105 • info@frontlineii.com

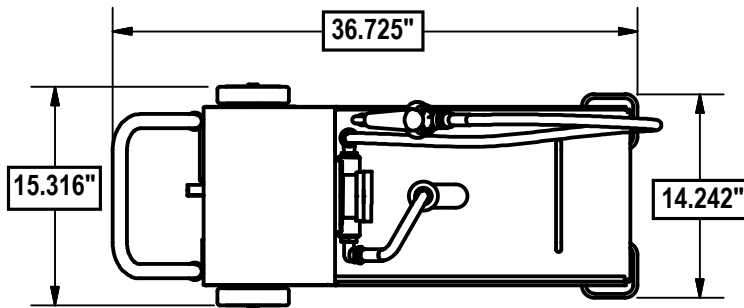
FRONTLINE
international

© Frontline International, 11/23

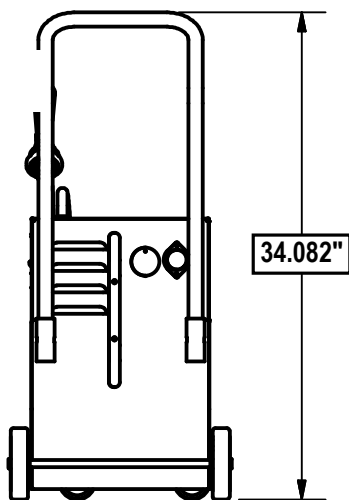
FILTER MACHINE

MODEL 10SS-NA-RB

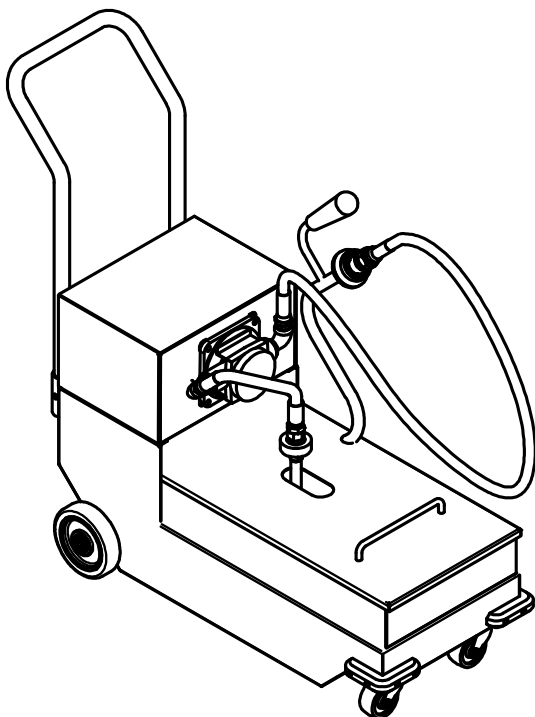
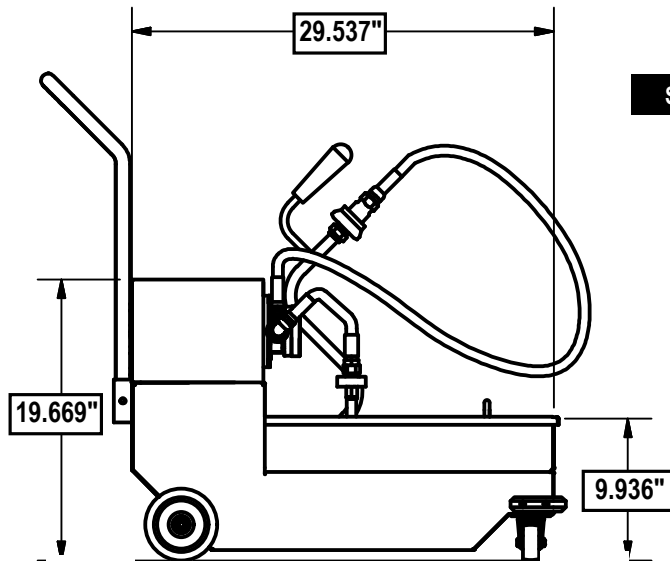
TOP



BACK



SIDE



IMPORTANT

- The appliance is not to be used by persons (including children) with reduced physical, sensory or mental capabilities, or lack of experience and knowledge, unless they have been given supervision or instruction.
- Children should be supervised to ensure that they do not play with the appliance.
- If the supply cord is damaged, it must be replaced by the manufacturer, its service agent or similarly qualified persons in order to avoid a hazard.
- Not intended to be operated by means of an external timer or a separate remote-control system.
- This appliance is intended to be used in commercial kitchen applications.

Frontline International, Inc.
187 Ascot Parkway • Cuyahoga Falls, Ohio 44223
330-861-1100 • 877-776-1100 • frontlineii.com
Fax: 330-861-1105 • info@frontlineii.com

FRONTLINE
international

© Frontline International, 11/23