

MODEL 47SS-WPC

USED COOKING OIL CONTAINMENT CADDY

353 lb/47 gal (178 l /178 kg)

FRONTLINE™
international

PROJECT _____
QUANTITY _____
APPROVAL _____
DATE _____

SPECIFICATIONS

The all-in-one and ready to tackle any fat, oil, and grease generating equipment in your operation. This rolling containment tank moves from any equipment, oven, fryers, rotisserie, grills and more. A single, reversible pump allows you to suck clean your equipment, hands-free and automated. The tank with integral heated core prevents coagulation. Then simply roll the unit to a single UCO containment tank and pump out the contents with the integral pump. This unique Frontline International Containment Caddy is a safe, heated, easily wheeled, temporary, medium-volume tank. Ideal for large, multi-equipment operations.

AGENCY APPROVAL OPTIONS

- UL 197
- UL 1889
- CE
- UKCA

POWER CORD CONFIGURATION Select one of the following.

- NA (North America):** Standard: NEMA 5-15 Voltage: 120V Frequency: 60Hz
- EU (European Union):** Standard: CEE 7/7 (Type F) Voltage: 230V Frequency: 50Hz
- UK (United Kingdom):** Standard: BS 1363 Voltage: 230V Frequency: 50Hz
- AU (Australia):** Standard: AS/NZS 3112 Voltage: 230V Frequency: 50Hz

STANDARD FEATURES

- 100% heavy stainless-steel construction
- Integral, reversible pump
- Heated core; prevent congealing
- Smooth rolling heavy-duty, non-mark casters
- Swivel front casters with brakes
- Screw-in-place safety cover
- Easy, quick-disconnect fittings



Frontline International, Inc.

187 Ascot Parkway • Cuyahoga Falls, Ohio 44223 • 330-861-1100 • 877-776-1100 • frontlineii.com • Fax: 330-861-1105 • info@frontlineii.com

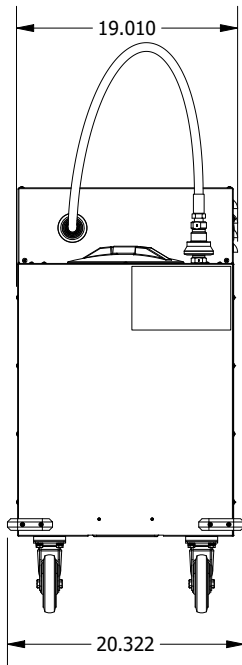
MODEL 47SS-WPC

FRONTLINE™
international

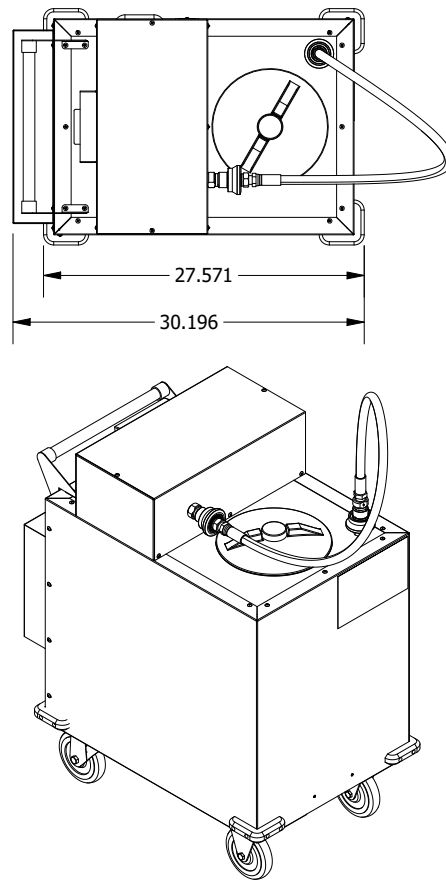
USED COOKING OIL CONTAINMENT CADDY

353 lb/47 gal (178 l /178 kg)

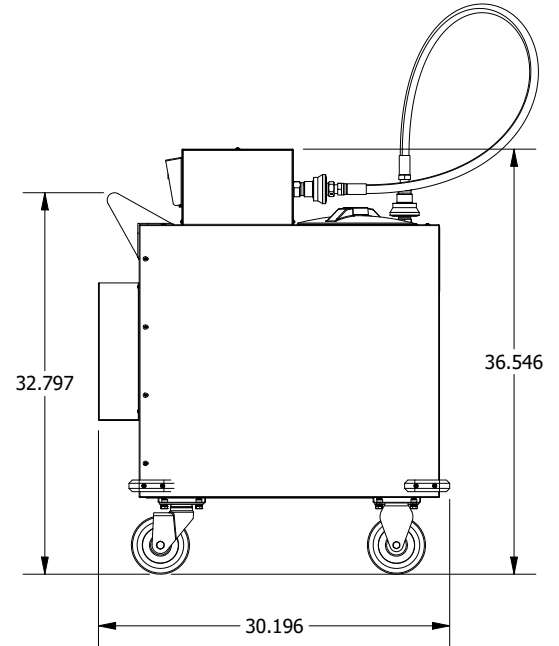
FRONT



TOP



SIDE



MODEL	CAPACITY	SHIPPING WEIGHT	INSTALLATION SPACE REQUIREMENTS	POWER REQUIREMENTS
47SS-WPC	353 lb/47 gal (178 kg/178 l)	200 lb (137 kg)	30 in. l x 19 in. w x 36.5 in. h (762 mm x 482 mm x 927 mm)	LV: 110 V 15 A, 60 Hz HV: 250 V 3.5 A, 50/60 Hz

* Information is approximate and may vary at time of shipment due to options/add-ons per customer request.

IMPORTANT

- The appliance is not to be used by persons (including children) with reduced physical, sensory or mental capabilities, or lack of experience and knowledge, unless they have been given supervision or instruction.
- Children should be supervised to ensure that they do not play with the appliance.
- If the supply cord is damaged, it must be replaced by the manufacturer, its service agent or similarly qualified persons in order to avoid a hazard.
- Not intended to be operated by means of an external timer or a separate remote-control system.
- This appliance is intended to be used in commercial kitchen applications.

Frontline International, Inc.

187 Ascot Parkway • Cuyahoga Falls, Ohio 44223 • 330-861-1100 • 877-776-1100 • frontlineii.com • Fax: 330-861-1105 • info@frontlineii.com